

# SACKit Rock 250

User manual

 UK  
 DK  
 DE



SACKit<sup>®</sup>

## CONTENT



|                                  |    |
|----------------------------------|----|
| Thank you! .....                 | 3  |
| Quick Start Guide .....          | 4  |
| The Device.....                  | 5  |
| Reset SACKit Rock 250 .....      | 8  |
| Troubleshooting .....            | 9  |
| Cleaning of the product .....    | 10 |
| Technical specifications .....   | 10 |
| Important safety information ... | 11 |
| Disposal of the product .....    | 12 |
| Complaints.....                  | 12 |



|                                   |    |
|-----------------------------------|----|
| Tak! .....                        | 13 |
| Quick Start Guide .....           | 14 |
| Beskrivelse af produktet.....     | 15 |
| Reset SACKit Rock 250 .....       | 18 |
| Troubleshooting .....             | 19 |
| Rengøring af produktet.....       | 20 |
| Tekniske specifikationer .....    | 20 |
| Vigtig Sikkerhedsinformation .... | 21 |
| Bortskaffelse af produktet .....  | 22 |
| Reklamationer .....               | 22 |



|                               |    |
|-------------------------------|----|
| Vielen dank! .....            | 23 |
| Kurzanleitung.....            | 24 |
| Produktbeschreibung .....     | 25 |
| Das zurücksetzen der ROCK 250 | 28 |
| Fehlersuche .....             | 29 |
| Reinigung .....               | 30 |
| Produktangaben.....           | 30 |
| Entsorgung.....               | 32 |
| Reklamation .....             | 32 |



## THANK YOU!

Thank you for purchasing the SACKit Rock 250 True Wireless Earbuds from SACKit. Please read the entire instruction manual before using the product and save it for future reference. We reserve the right to change or update information and to correct errors, inaccuracies, or omissions in text, images, and technical data. If you have any questions regarding technical problems please contact our customer services. We hope you will enjoy your new SACKit Rock 250 True Wireless Earbuds.

*Let SACKit rock your life!*

CONGRATULATIONS on your new SACKit product!

Register your new SACKit product and get cool benefits.

1. Go to <https://sackit.eu/reg>
2. Enter name, e-mail, and product\*

Box contents

1. SACKit Rock 250 earbuds
2. SACKit Rock 250 wireless charging case
3. USB-C charging cable
4. Quick start guide

\*When you register your product, you agree to receive email newsletters from SACKit.

## QUICK START GUIDE

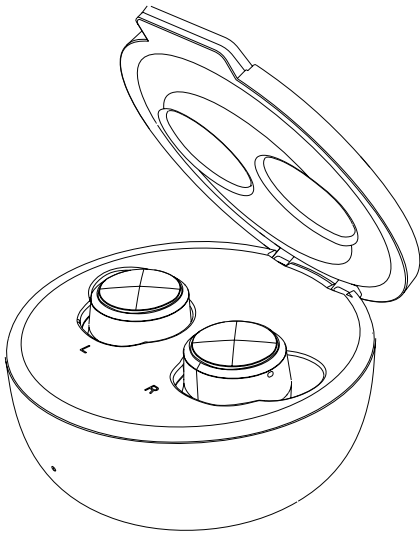
When you first get your SACKit Rock 250 earphones you need to charge them before they are ready for use.

Start by placing your SACKit Rock 250 earbuds in the charging case. This is how the earbuds charge.

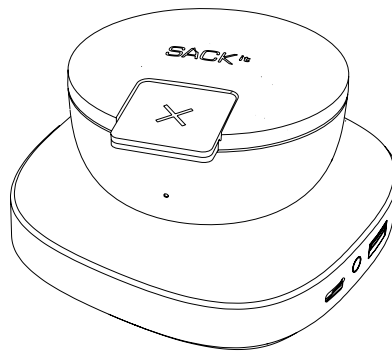
Now charge the charging case by either of 2 options.

- 1: Place the charging case on a Qi wireless charger, like SACKit's own CHARGEit.
- 2: Use the attached USB-C cable and any 5V, 1A power supply.

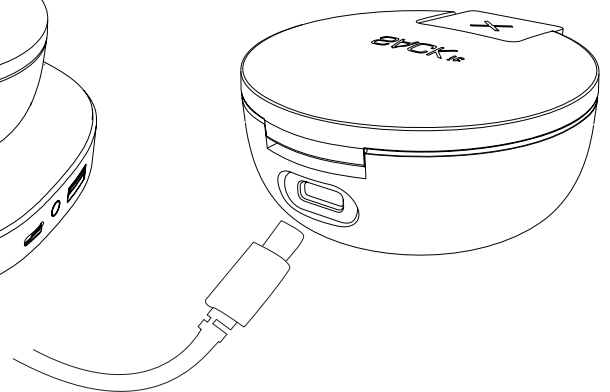
Charge for 2 hours minimum.



The earbuds charge in the charging case.



The charging case can charge on a wireless charger.



The charging case can also be charged with a USB-C cable.

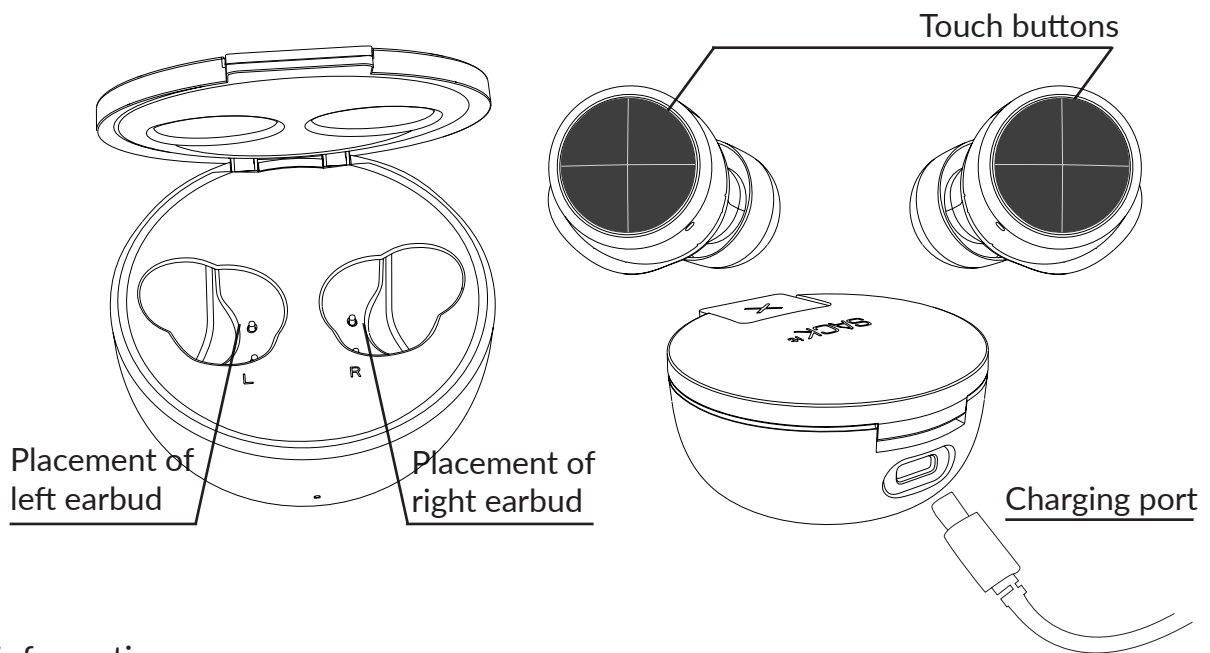
Please turn off your earbuds after use to get a longer battery life. The earbuds turn off automatically when placed in the charging case.

### How to play music:

1. For first use: remove SACKit Rock 250 earbuds from the case. Both earbuds will flash white on the top edge LED
2. The left earbud will blink red/white, indicating SACKit Rock 250 is in pairing mode and the earbuds are connected via True Wireless Stereo
3. Switch on Bluetooth on your device
4. Choose "SACKit Rock 250" under Bluetooth settings on your device. Your earbuds are now connected with your device
5. Start playing music on your device
6. SACKit Rock 250 automatically switches on/off when connected/disconnected to the charging case. Manually power on/off by holding down the earbud buttons for 10 seconds
7. SACKit Rock 250 will automatically pair with the last connected device.

To connect to a new device make sure that the previous connected device is disconnected otherwise connecting opportunity won't appear on the new device.

## THE DEVICE

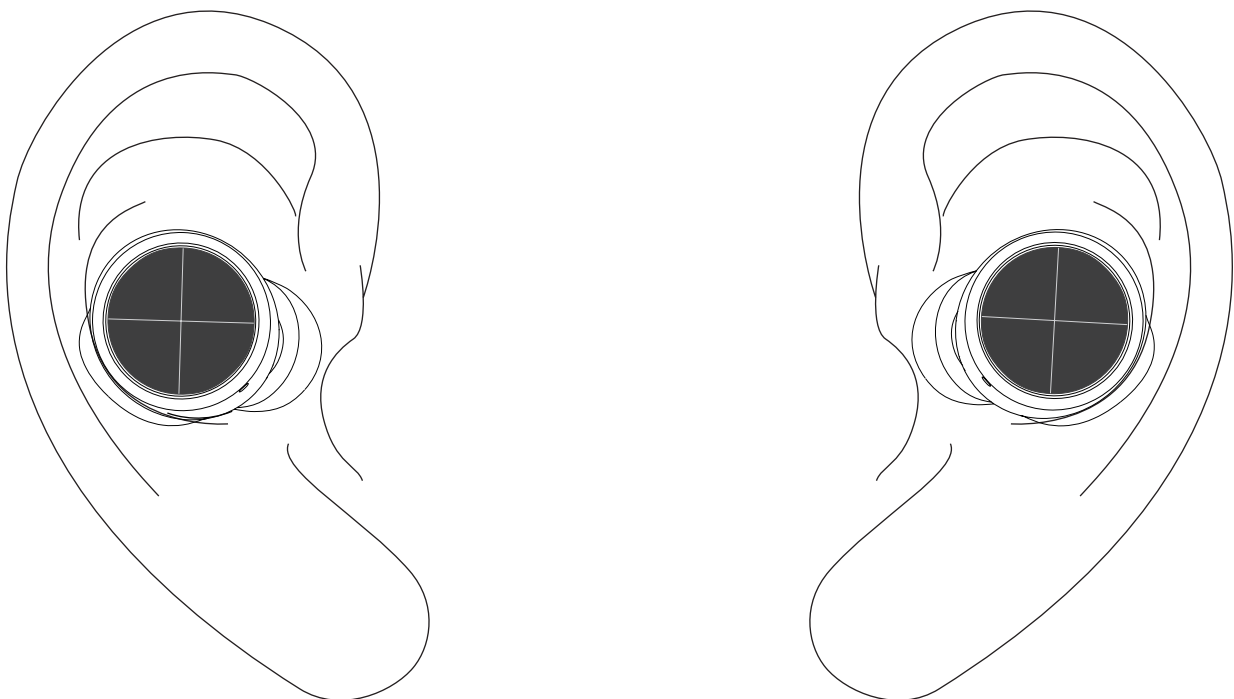


### Battery information

- Battery: rechargeable Polymer Lithium-Ion Battery, DC: 3.7V/590mAh for charging case, 2 x 85mAh for earbuds
- Power: USB DC5V, Please use the USB-C cable included with your SACKit Rock 250 earbuds for charging
- Charging Time: For first time use please be sure the battery has been charged fully before use. It needs more than 2 hours of charging the first time, then 2 hours for recharging

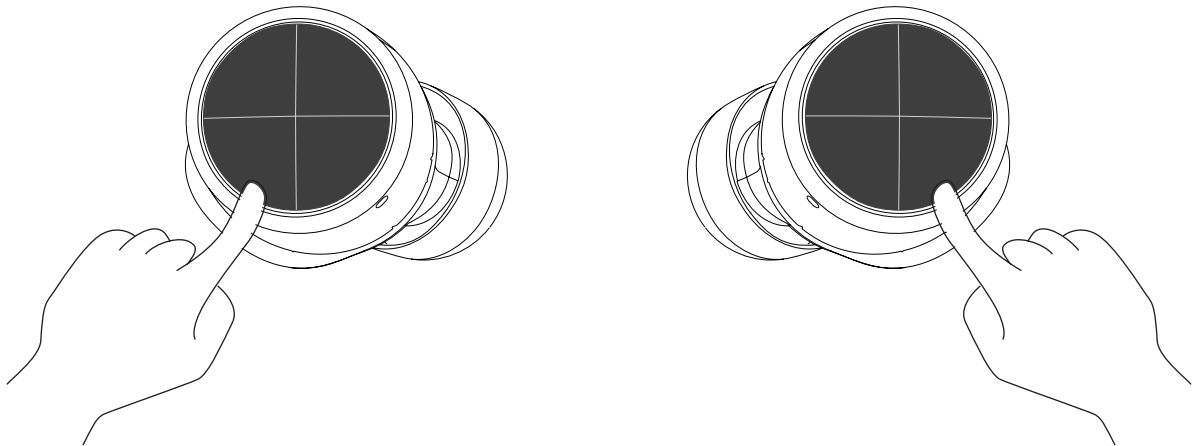
### Correct placement of the SACKit Rock 250 earbuds

Place the earbuds in the ears like shown below. It is important that you place the inside ear support downwards. You can twist the earbuds until you find the right placement.



## Use SACKit Rock 250 earphones

1. For first use: Remove SACKit Rock 250 earbuds from the case. Both earbuds will blink white on the top edge LED
2. The left earbud will blink red/white, indicating SACKit Rock 250 is in pairing mode and the earbuds are connected via True Wireless Stereo
3. Switch on Bluetooth on your device
4. Choose "SACKit Rock 250" under Bluetooth settings on your device. Your earbuds are now connected with your device
5. Start playing music on your device
6. SACKit Rock 250 automatically switches on/off when connected/disconnected to the charging case. Manually power on/off by holding down the earbud buttons for 10 seconds



7. SACKit Rock 250 will automatically pair with the last connected device.
8. To connect to a new device make sure that the previous connected device is disconnected otherwise connecting opportunity won't appear on the new device.

## How to pair SACKit Rock 250 earbuds with Bluetooth devices

1. Simply remove your SACKit Rock 250 earbuds from the charging case or long press the X button on your earbuds for 10 seconds. After the first 5 seconds, you will hear the ON sound. Keep pressing the button for another 5 seconds to turn on pairing mode, indicated by flashing red and white LED lights
2. Please keep the earbuds and Bluetooth device in range of 1 meter when pairing and make sure SACKit Rock 250 is turned on
3. Go into the Bluetooth settings on your device and search for new Bluetooth devices and select SACKit Rock 250
4. The LED light will blink white once SACKit Rock 250 is successfully paired
5. Long press X button on the earbuds to turn off your ROCKit earbuds
6. SACKit Rock 250 can remember 8 devices: You can pair 8 units with your SACKit Rock 250, at 9th unit SACKit Rock 250 will forget the first connected

## Operation instructions for use after first pairing

1. After first time pairing your SACKit Rock 250 earbuds and Bluetooth device will automatically reconnect
2. Turn the earbuds on by holding down the X button until you hear the ON sound or by removing the earbuds from the case
3. Long press X button to turn off

### Basic functions of SACKit Rock 250 earbuds

| Left earbud - function | Left earbud - operation on earbud |
|------------------------|-----------------------------------|
| Volume down - 1 tap    | 1 tap                             |
| Previous song          | Hold for 2 seconds                |
| Play/pause             | 2 taps                            |
| SIRI®/Google™          | 3 taps                            |
| Answer/end call        | 2 taps                            |

| Right earbud - function | Right earbud - operation on earbud |
|-------------------------|------------------------------------|
| Volume up               | 1 tap                              |
| Next song               | Hold for 2 seconds                 |
| Play/pause              | 2 taps                             |
| SIRI®/Google™           | 3 taps                             |
| Answer/end call         | 2 taps                             |

### LED functions for SACKit Rock 250 earbuds

| When earbuds are charging in case - LED function | Indication of LED function |
|--|----------------------------|
| Red blinks                                       | Earbuds are charging       |
| LED off  | Earbuds are fully charged  |

| When earbuds are in use - LED function | Indication of LED function   |
|--|------------------------------|
| White blinks                           | Earbuds paired with a device |
| White/red blinks                       | Pairing mode                 |
| 4 red blinks each minute               | Earbuds needs charging       |

## LED battery functions for SACKit Rock 250 case

| When earbuds are charging in case - LED function | Indication of LED function |
|--|----------------------------|
| 1 blink  | 0-25% power on the case    |
| 2 blink  | 25-50% power on the case   |
| 3 blink  | 50-75% power on the case   |
| 4 blink  | 75-100% power on the case  |
| LED off  | Fully charged earbuds      |

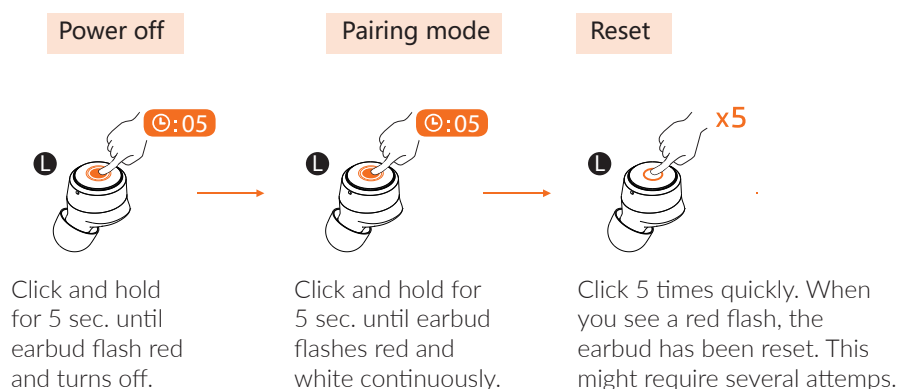
  

| When case is charging by plug or wireless - LED function | Indication of LED function |
|--|----------------------------|
| 1 blink  | 0-25% power on the case    |
| 2 blink  | 25-50% power on the case   |
| 3 blink  | 50-75% power on the case   |
| 4 blink  | 75-100% power on the case  |
| LED on   | Fully charged case         |

## RESET SACKit Rock 250

A video tutorial of how to reset your SACKit Rock 250 earbuds can be found at SACKit's YouTube channel: <https://bit.ly/34TWCjk>

1. Before you reset make your device forget SACKit Rock 250 in Bluetooth settings on your device
2. Turn Bluetooth OFF before resetting SACKit Rock 250
3. Place both earbuds in the charging case
4. Take both earbuds out of the charging case
5. Follow bellow steps one earbud at a time



6. When both earbuds are reset, put them back into the charging case and wait 10 sec. before taking both earbuds up at the same time. The earbuds they will automatically pair with each other.
7. Now follow "How to pair SACKit Rock 250 earbuds with Bluetooth devices" on page 6.

It did not work? Okay, first and foremost: Do Not Panic! Your SACKit Rock 250 will work just fine if you follow these steps:

- Has the LED on the earbud turned red? If the LED has not turned red the earbuds have not been reset correctly. It is essential that the 5 taps happens quickly, this may take a few tries.
- If the LED tuned red, it worked! Your earbuds have been reset. You now have to put them back into the charging case for 10 seconds before they are ready to reconnect.



## TROUBLESHOOTING

If you have trouble using your SACKit Rock 250 we ask you to try the following solutions. If these solutions does not fix your problem please contact our customer service at [info@sackit.dk](mailto:info@sackit.dk).

### ***My SACKit Rock 250 earbuds are not connected to each other***

- Try resetting your SACKit Rock 250 earbuds following the description on page 7. You can now reconnect SACKit Rock 250 to your device by following the description found on 6

### ***I experience issues with stability and connection***

- Try to delete the pairing between SACKit Rock 250 and your device on the device. You do this by accessing the Bluetooth settings on your device and choose "forget SACKit Rock 250". Now pair SACKit Rock 250 and your device by following the description found on 6

### ***SACKit Rock 250 is not playing music while connected to my device***

- If SACKit Rock 250 is not playing music even though your device shows it should be you have to manually choose to play from SACKit Rock 250 in your device settings. Please refer to the instruction of your device or specific app for further information.

### ***My SACKit Rock 250 does not turn off when placed in the charging case***

- If SACKit Rock 250 earbuds do not turn off when placed in the charging case the case needs to be charged. Please turn off the earbuds manually by pressing the touch button on one of the earbuds for 10 seconds and charge your SACKit Rock 250 case

### ***My earbuds do not play with the same sound volume***

- As SACKit Rock 250 is an in-ear headset they can be clogged with earwax and dirt. Try removing the silicone tips from the earbuds and clean the small filter. Please follow the cleaning guide found on page 10
- If it is not possible to clean the filter or this does not solve the problem, please contact our customer service on [info@sackit.dk](mailto:info@sackit.dk)

### ***My SACKit Rock 250 earbuds do not turn on when they are removed from the charging case***

- Try placing the earbuds into the charging case and charge SACKit Rock 250 for minimum 2 hours before using the earbuds

## CLEANING OF THE PRODUCT

1. Kindly switch off SACKit Rock 250 before you clean it and remove the earbuds from the charging case. The earbuds can manually be turned off by pressing the touch button on one of the earbuds for 10 seconds.
2. Do not use any water, cleaner or chemicals to clean the earbuds
3. To clean the earbuds, remove the small silicone tip and expose the black speaker fabric
4. Use a dry cotton swab to gently clean the speaker fabric.
5. Use a soft, dry, and lint-free cloth to wipe the entire earbud and charging case
6. After cleaning please place the earbuds back into the charging

NOTE: Avoid using sharp objects to clean SACKit Rock 250 earbuds and charging case

## TECHNICAL SPECIFICATIONS

- Model: SACKit Rock 250 Earbuds
- IP grade: IPX5
- Bluetooth version: V5.0
- Bluetooth Solution: Realtek
- Operating distance: 10M
- Battery: 590mAh charging case, 2 x 85mAh earbuds
- Charging time: 2 hours
- Charging current: 500mA
- Music playing time: Up to 8 hours for earbuds without charging  
20 hours of playing time added by the charging case
- Earbuds call time: Up to 6 hours
- Driver Unit: Ø6mm
- Frequency Range: 20Hz-20KHz
- Impedence:  $16\pm 15\Omega$  at 1000Hz
- USB-C input: 5V/500mAh
- Qi input: 3W
- Size: 68.5\*64\*32mm
- Weight: 60g

## IMPORTANT SAFETY INFORMATION

Please read the following information and operate the product and accessories accordingly to ensure correct and safe use of the product. We are not responsible for damage caused by failure to comply with the instructions or irresponsible use of the product.

### Warning

To prevent any fires or electrical hazards please act according to the following guidelines:

- Do not disassemble or replace any parts of this device. Please contact professional maintenance or qualified service center if there is any damage to the device.
- Do not place in any liquid
- If any liquids flows inside the product, please shut down the product and contact customer service center
- Do not place this device in or close to sources of excessive heat or fire. (Such as: candles, fireplaces or direct sunlight)
- Please shut down in lightning weather
- Keep this device away from any dust and vibration.
- Do not use excessive force when using any of the control buttons.
- If the product is below 5°C when you receive it, please open the product packaging and wait for it to reach room temperature.
- To prevent overheating of the product is it necessary to keep a cleared area of 10 cm around the product while charging
- Be sure to place this device on stable, flat and level surfaces while charging.

## DISPOSAL OF THE PRODUCT

SACKit Rock 250 is made from recyclable and high quality materials. Do not dispose of together with living garbage. Please understand the local classification about collecting electronical, electrical products that contains batteries. Correct disposal of the product will help to prevent negative impact to the environment.

## COMPLAINTS

Please contact our customer service if you have a complaint or a pair of broken SACKit Rock 250 earbuds. If your earbuds has a defect, please inform your serial number, when you contact us. You will find the serial number on the bottom of the charging case.



## TAK!

Tak fordi du valgte SACKit Rock 250 True Wireless Earbuds fra SACKit. Vi beder dig læse hele denne brugermanual grundigt, før du tager SACKit Rock 250 i brug. Gem venligst brugermanualen, så du altid kan slå op i den. Vi tager forbehold for fejl i tekst eller billeder og nødvendige ændringer i de tekniske specifikationer. Hvis du oplever tekniske problemer, beder vi dig kontakte vores kundeservice. Vi håber, du får stor glæde af din nye SACKit Rock 250 True Wireless Earbuds.

*Let SACKit rock your life!*

TILLYKKE med dit nye SACKit produkt!

Registrer dit nye SACKit produkt og få fede fordele.

1. Gå til <https://sackit.eu/reg>
2. Indtast navn, e-mail og produkt\*

Indhold i æsken

1. SACKit Rock 250 earbuds
2. SACKit Rock 250 trådløs opladeæske
3. Quick start guide
4. USB-opladekabel

\*Når du registrerer dit produkt, giver du samtykke til at modtage nyhedsbreve fra SACKit.

## QUICK START GUIDE

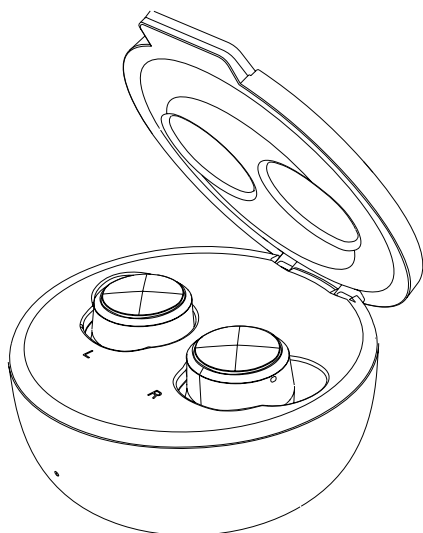
Når du modtager dine SACKit Rock 250 skal de oplades før de er klar til brug.

Dine SACKit Rock 250 skal placeres i den tilhøre opladeæske, da dette er sådan SACKit Rock 250 oplades.

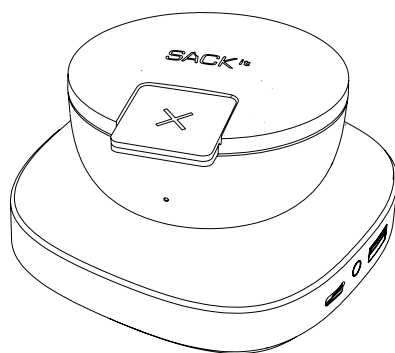
Nu kan SACKit Rock 250 oplades på en af følgende måder:

- 1: Placer din SACKit Rock 250 æske på en Qi trådløs oplader, så som SACKit's egen CHARGEit.
- 2: Brug det medfølgende USB-C stik og en 5V, 1A power adapter.

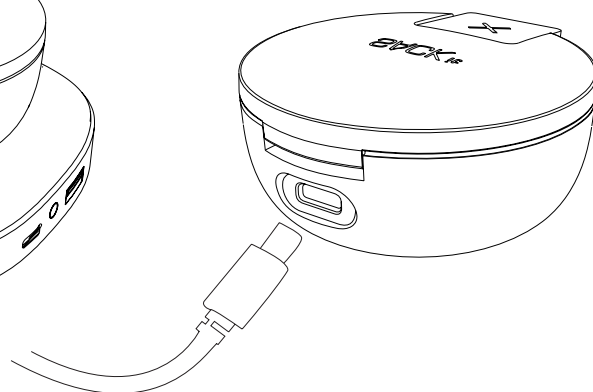
SACKit Rock 250 skal oplades i minimum 2 timer før brug.



Placer SACKit Rock 250  
earbuds i opladesæsk



Opladeæsk



Opladeæsk

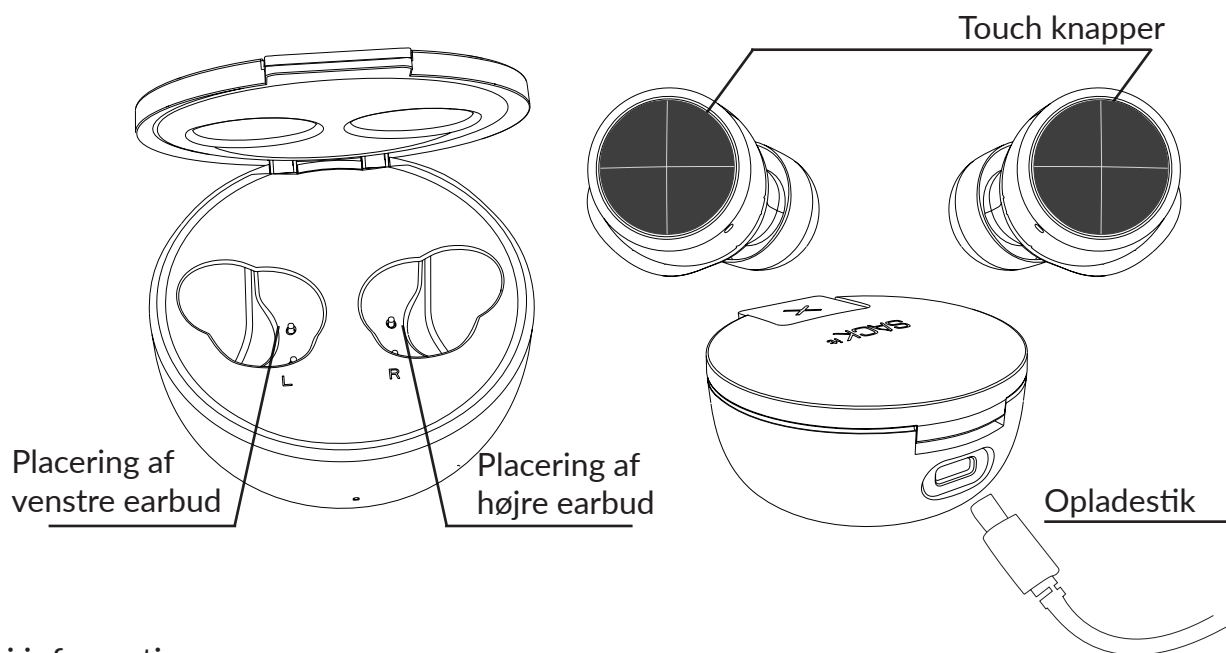
Husk at slukke dine earbuds efter brug for at øge batteriernes levetid. SACKit Rock 250 earbuds slukker automatisk når de ligger i opladeæsk

### Sådan afspiller du musik

1. Til første brug: fjern SACKit Rock 250 earbuds fra opladeæsk. Begge earbuds vil blinke hvidt i kantens LED
2. Den venstre earbud vil efterfølgende blinke rød/hvid, som indikerer at SACKit Rock 250 er i pairing mode og dine earbuds er koblet sammen via True Wireless Stereo
3. Tænd for Bluetooth på din enhed
4. Vælg "SACKit Rock 250" under Bluetooth indstillinger på din enhed. Dine earbuds er nu tilkoblet din enhed
5. Du kan nu starte musikken på din enhed
6. SACKit Rock 250 tænder/slukker automatisk når earbuds indsættes/udtages af opladeæsk. Manuelt tænd/sluk
7. SACKit Rock 250 ved at holde touch knapperne på earbuds nede i 10 sekunder

SACKit Rock 250 vil automatisk parre med sidst tilkoblede enhed

## BESKRIVELSE AF PRODUKTET

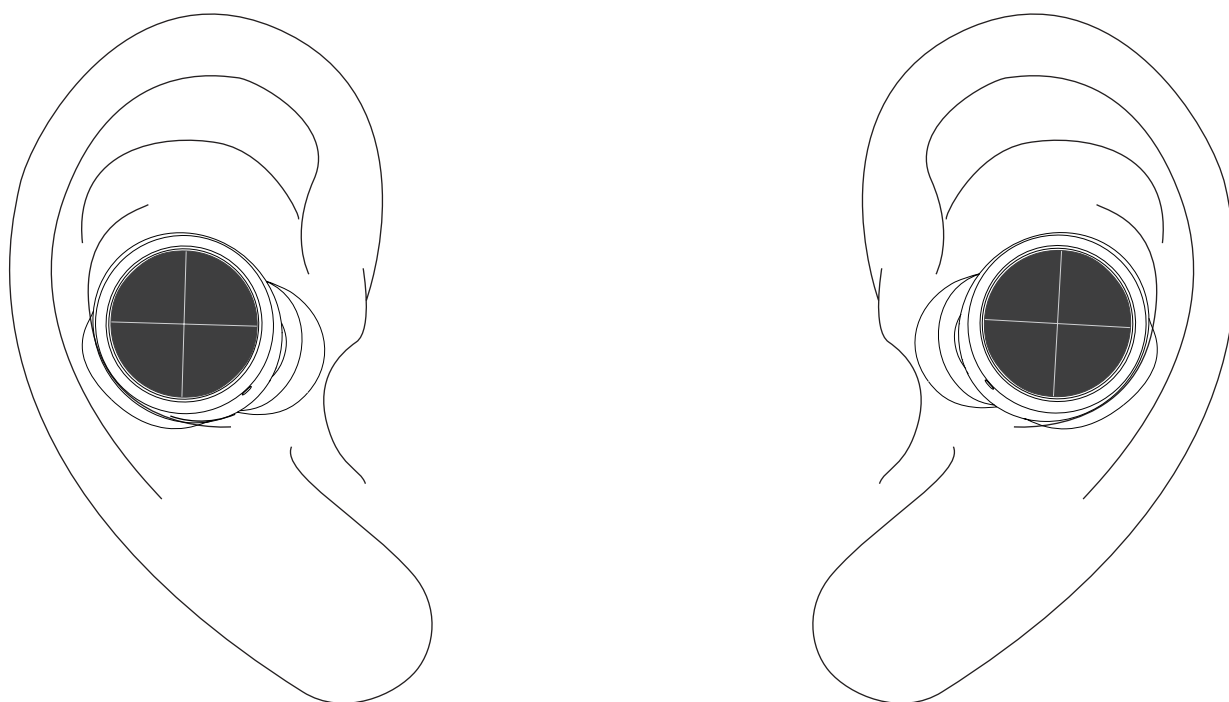


### Batteri information

- Batteri: genopladeligt Polymer Lithium-Ion Batteri, DC: 3.7V/590mAh for opladeæske, 2 x 85mAh for earbuds
- Strøm: USB DC5V, Anvend det medfølgende USB-C kabel til opladning af æsken
- Opladningstid: Til første brug venligst sikre at batteriet er fuldt opladet inden anvendelse. Det skal oplade mere end 3 timer første gang, og 2 timer ved genopladning

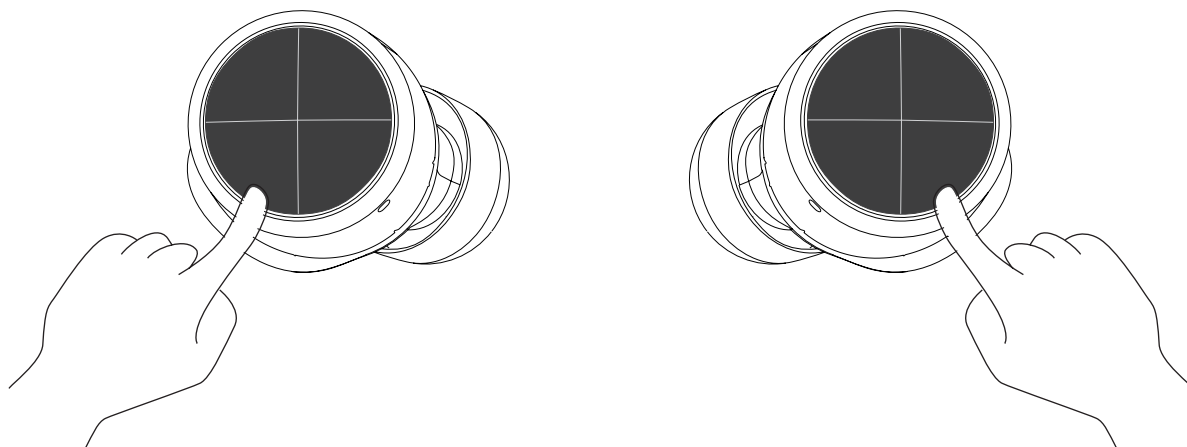
### Korrekt placering af SACKit Rock 250 earbuds

Placer earbuds i ørerne som vist på billedet nedenfor. Det er vigtigt at du placerer den indvendige øre-støtte nedad i øret. Du kan dreje dine earbuds indtil du finder den rette placering.



## Anvend SACKit Rock 250 øretelefoner

1. Til første brug: fjern SACKit Rock 250 earbuds fra opladeæsken. Begge earbuds vil blinke hvidt i kantens LED
2. Den venstre earbud vil efterfølgende blinke rød/hvid, som indikerer at SACKit Rock 250 er i pairing mode og dine earbuds er koblet sammen via True Wireless Stereo
3. Tænd for Bluetooth på din enhed
4. Vælg "SACKit Rock 250" under Bluetooth indstillinger på din enhed. Dine earbuds er nu tilkoblet din enhed
5. Du kan nu starte musikken på din enhed
6. SACKit Rock 250 tænder/slukker automatisk når earbuds indsættes/udtages af opladeæsken. Manuelt tænd/sluk SACKit Rock 250 ved at holde touch knapperne på earbuds nede i 10 sekunder
7. SACKit Rock 250 vil automatisk parre med sidst tilkoblede enhed



8. For at tilkoble en ny enhed skal du først frakoble tidligere parret enhed ellers vises SACKit Rock 250 ikke på den nye enhed.

## Parring af SACKit Rock 250 earbuds med Bluetooth enhed

1. Fjern SACKit Rock 250 earbuds fra opladeæsken eller giv et langt tryk på X knappen i 10 sekunder. Efter de første 5 sekunder vil du høre en ON lyd. Pres yderligere 5 sekunder for at tænde for pairing mode som indikeres ved blinkende rød/hvid LED på earbuds
2. Hold earbuds og Bluetooth enhed indenfor 1 meter af hinanden. Sikre dig at SACKit Rock 250 og Bluetooth på enheden er tændt
3. Gå til Bluetooth indstillinger på din enhed og søg efter ny Bluetooth enhed. Vælg "SACKit Rock 250"
4. Det hvide LED lys vil blinke for at indikere at SACKit Rock 250 er parret med enheden.
5. SACKit Rock 250 slukker automatisk når de placeres i opladeæsken. Hold touch knappen inde for manuelt at slukke dine SACKit Rock 250 earbuds
6. SACKit Rock 250 kan husk 8 enheder: Du kan parre 8 enheder til din SACKit Rock 250, ved 9 enhed glemmer SACKit Rock 250 den først tilføjede

## Betjening efter første parring

1. Efter første parring vil SACKit Rock 250 earbuds og Bluetooth enheden automatisk genetablere forbindelse
2. Tænd earbuds ved at holde touch knappen nede indtil du hører en ON lyd, eller ved at fjerne earbuds fra opladeæsken
3. SACKit Rock 250 slukker automatisk når de placeres i opladeæsken. Hold touch knappen inde for manuelt at slukke dine SACKit Rock 250 earbuds



## Basisfunktioner på SACKit Rock 250 earbuds

| Venstre earbud - funktion | Venstre earbud - betjening på earbud |
|---------------------------|--------------------------------------|
| Volumen ned - 1 tryk      | 1 tryk                               |
| Forrige sang              | Hold i 2 sekunder                    |
| Play/pause                | 2 tryk                               |
| SIRI®/Google™             | 3 tryk                               |
| Svar/slut opkald          | 2 tryk                               |

| Højre earbud - funktion | Højre earbud - Betjening på earbud |
|-------------------------|------------------------------------|
| Volumen op              | 1 tryk                             |
| Næste sang              | Hold i 2 sekunder                  |
| Play/pause              | 2 tryk                             |
| SIRI®/Google™           | 3 tryk                             |
| Svar/slut opkald        | 2 tryk                             |

## LED funktioner på SACKit Rock 250 earbuds

| Når earbuds oplader i æsken - LED funktion | Indikation af LED funktion |
|--|----------------------------|
| Røde blink                                 | Earbuds oplader            |
| LED slukket                                | Earbuds er fuldt opladet   |

| Når earbuds anvendes - LED funktion | Indikation af LED funktion |
|-------------------------------------|----------------------------|
| Hvide blink                         | Earbuds parret med enhed   |
| Hvide/røde blink                    | Pairing tilstand           |
| 4 røde blink hvert minut            | Earbuds skal oplades       |

## LED batteri funktioner for SACKit Rock 250 opladeæske

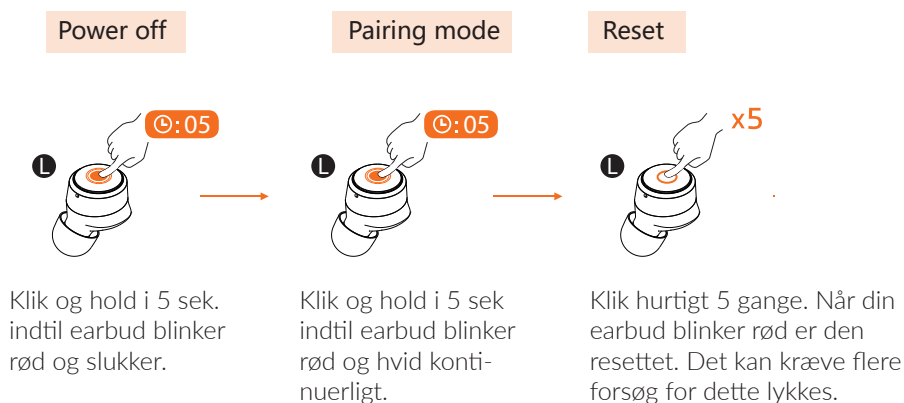
| Når earbuds oplader i æsken - LED funktion | Indikation af LED funktion |
|--|----------------------------|
| 1 blink                                    | 0-25% strøm på æsken       |
| 2 blink                                    | 25-50% strøm på æsken      |
| 3 blink                                    | 50-75% strøm på æsken      |
| 4 blink                                    | 75-100% strøm på æsken     |
| LED slukket                                | Fuldt opladede earbuds     |

| Når æsken oplader i stik eller trådløst - LED funktion | Indikation af LED funktion |
|--|----------------------------|
| 1 blink  | 0-25% strøm på æsken       |
| 2 blink  | 25-50% strøm på æsken      |
| 3 blink  | 50-75% strøm på æsken      |
| 4 blink  | 75-100% strøm på æsken     |
| LED tændt  | Fuldt opladet æske         |

## RESET SACKit Rock 250

For en video gennemgang af hvordan SACKit Rock 250 earbuds resettes henviser vi til SACKit's YouTube kanal: <https://bit.ly/34TWCjk>

1. Inden du resetter er det vigtigt, at du via din enheds Bluetooth indstillinger "glemmer" SACKit Rock 250
2. Slå herefter Bluetooth fra på din enhed
3. Placer begge earbuds i æsken
4. Tag begge earbuds ud af æsken



5. Følg nedenstående steps, først på den ene earbud og derefter på den anden.
6. Placer begge earbuds i oplader æsken og vent 10 sek før du tager dem begge op på samme tid.
7. Følg nu steps i "Parring af SACKit Rock 250 earbuds med Bluetooth enhed" på side 16

Virkede det ikke? Okay, først og fremmest: Ingen Panik! Dine SACKit Rock 250 skal nok fungere igen hvis du følger disse trin:

- Lyser dioden på din earbud rødt? Hvis ikke, så er dine SACKit Rock 250 ikke blevet nulstillet. Det er vigtigt at de 5 klik sker hurtigt efter hinanden – måske kræver det et par forsøg.
- Hvis den lyser rødt, så lykkedes det! Dine earbuds er nu blevet nulstillet, de skal dog tilbage i opladningsæsken i 10 sekunder før de er klar til at connecte igen.

## TROUBLESHOOTING

Hvis du har problemer med at betjene din SACKit Rock 250, beder vi dig afprøve følgende løsninger. Hvis følgende løsninger ikke afhjælper dit problem, kan du kontakte vores kundeservice på [info@sackit.dk](mailto:info@sackit.dk).

### ***Mine SACKit Rock 250 earbuds er ikke tilsluttet hinanden***

- Prøv at nulstille dine SACKit Rock 250 earbuds ved hjælp af beskrivelsen på side 17. Herefter skal SACKit Rock 250 tilsluttes din enhed igen, dette gøres ved at følge beskrivelsen på side 16

### ***Jeg oplever problemer med stabilitet og forbindelse på SACKit Rock 250***

- Prøv at fjerne parringen imellem din enhed og SACKit Rock 250. Dette gøres på din enhed ved at vælge Bluetooth indstillinger og vælge glem/slet "SACKit Rock 250". Herefter skal du igen parre SACKit Rock 250 og din enhed ved at følge beskrivelsen på side 16

### ***Mine SACKit Rock 250 earbuds afspiller ikke musik selv om at de er tilsluttet min enhed***

- Hvis dine SACKit Rock 250 ikke spiller når de er tilsluttet din enhed skal du manuelt vælge SACKit Rock 250 som afspilningsenhed fra din enhed. For at gøre dette henviser vi til manualen for din enhed eller den specifikke app gør brug af

### ***Mine SACKit Rock 250 slukker ikke når de bliver lagt i opladeæsken***

- Hvis dine earbuds ikke slukker i opladeæsken skyldes det at æsken er løbet tør for strøm og skal oplades. Du kan slukke dine SACKit Rock 250 earbuds manuelt ved at trykke på touch knapperne og holde dem inde i 10 sek., herefter skal din opladningsæske oplades

### ***Mine earbuds afspiller ikke med samme volumen***

- Da SACKit Rock 250 er et in-ear head set kan højtaleren blive stoppet af skidt og ørevoks. For at fjerne dette skal du fjerne ørepropperne og rengøre det lille filter, en rengøringens vejledning kan findes på side 20.
- Hvis det ikke er muligt at rengøre filteret eller hvis dette ikke løser problemet, kan vores kundeservice kontaktes på [info@sackit.dk](mailto:info@sackit.dk)

### ***Mine SACKit Rock 250 earbuds tænder ikke når de tages ud af opladeæsken***

- Dine earbuds kan være løbet tør for strøm. Prøv at ligge dine earbuds tilbage i opladeæsken og tilslut SACKit Rock 250 til en oplader for minimum 2 timer før SACKit Rock 250 tages i brug igen

## RENGØRING AF PRODUKTET

1. Sluk venligst SACKit Rock 250 før du rengøre den samt fjern SACKit Rock 250 earbuds fra den tilhørende opladningsæske. Dine earbuds kan slukkes manuelt ved at holde touch knappen inde i 10 sek.
2. Anvend ikke vand, rengøringsmidler, opløsningsmidler eller anden form for væske til rengøring af din SACKit Rock 250 earbuds
3. For at rengøre SACKit Rock 250 earbuds skal ørepropperne fjernes, så earbud-gitteret bliver tilgængeligt
4. Gitteret kan forsigtigt rengøres med en tør vatpind
5. Brug en blød, tør og fnugfri klud til at tørre dine earbuds af efterfølgende
6. Efter rengøring ligges SACKit Rock 250 earbuds tilbage i opladningsæsken for at genaktiverer dem

ADVARSEL: Der må ikke benyttes nogen form for skarpe genstande til rengøring af hverken SACKit Rock 250 opladningsæske eller earbuds.

## TEKNISKE SPECIFIKATIONER

- Model: SACKit Rock 250 Earbuds
- IP grad: IPX5
- Bluetooth version: V5.0
- Bluetooth Solution: Realtek
- Operating distance: 10M
- Batteri: 590mAh opladningsæsken, 2 x 85mAh earbuds
- Opladnings tid: 2 timer
- Opladnings current: 500mA
- Musik spilletid: Op til 8 timer uden opladning, 20 timers spilletid tilføjes af opladeræsken
- Earbud opkaldstid: Op til 6 timer
- Driver Unit: Ø6mm
- Frekvens: 20Hz-20KHz
- Impedence:  $16\pm 15\Omega$  at 1000Hz
- USB-C input: 5V/500mAh
- Qi input: 3W
- Størrelse: 68.5\*64\*32mm
- Vægt: 60g

## VIGTIG SIKKERHEDSINFORMATION

Læs og følg venligst følgende instruktioner for at sikre, at du anvender dit produkt og tilbehør sikkert og korrekt. Produktskader forårsaget af brug i modstrid med følgende information dækkes ikke af garantien.

### Advarsel

For at undgå brand, skader eller elektriske stød, skal du overholde følgende retningslinjer:

- Det er forbudt at afmontere eller erstatte dele på enheden. Kontakt venligst professionelt værksted eller kvalificeret servicecenter, hvis der er skader på opladeren eller dens tilbehør
- Placér ikke produktet i nogen form for væske
- Hvis produktet bliver vådt, skal de slukkes med det samme og kundeservice skal kontaktes
- Placér ikke produktet i eller tæt på kraftig varme eller ild (eksempelvis stearinlys, ildsteder eller direkte sollys)
- Hvis det lyner, skal du slukke for produktet
- Brug ikke produktet i områder med støv eller vibrationer
- Brug ikke overdreven styrke eller vold til betjening af produktet
- Hvis produktet er under 5°C, når du modtager det, skal du tage det ud af emballagen og vente til, det har opnået stuetemperatur, før du slutter det til strøm
- For at undgå overophedning af produktet, skal der være 10 cm frit omkring opladningsæsken ved opladning
- Oplad kun produktet på en stabil, flad og plan overfalde.

## BORTSKAFFELSE AF PRODUKTET

SACKit Rock 250 er fremstillet i genanvendelige højkvalitetsmaterialer. Du må ikke smide produktet ud sammen med din dagrenovation. Produktet skal bortskaffes i overensstemmelse med lokale retningslinjer for bortskaffelse af elektronik. Forkert bortskaffelse har negative konsekvenser for miljø og sundhed.

## REKLAMATIONER

Kontakt venligst vores kundeservice, hvis du har en klage eller har et par defekte SACKit Rock 250 earbuds. Hvis du har et par defekte øretelefoner, skal du oplyse produktets serienummer, når du kontakter os. Serienummeret finder du på bunden af æsken.



## VIELEN DANK!

Vielen Dank für den Kauf der SACKit Rock 250 Ohrhörer von SACKit. Bitte lesen Sie die Gebrauchsanleitung genau durch, bevor Sie das Produkt in Gebrauch nehmen. Heben Sie die Gebrauchsanleitung für einen späteren Gebrauch auf. Angaben zur Produktbeschreibung, sowie das Bildmaterial und technische Daten sind ohne Gewähr. Sollten Sie Probleme mit Ihrem Produkt erleben, kontaktieren Sie bitte unseren Kundendienst. Wir hoffen, dass Sie viel Freude mit Ihren neuen SACKit Rock 250 True Wireless Ohrhörer haben werden.

*Let SACKit rock your life!*

Herzlichen Glückwunsch zu Ihrem neuen SACKit Produkt!

Registrieren Sie Ihr neues SACKit Produkt hier und erhalten Sie coole Produktvorteile.

1. Klicken Sie auf <https://sackit.eu/reg>
2. Geben Sie Ihren Namen, E-Mailadresse und das Produkt ein\*

Produktinhalt

1. SACKit Rock 250 Ohrhörer
2. SACKit Rock 250 Ladebox
3. Kurzanleitung
4. USB-Ladekabel

\*Bei der Registrierung erklären Sie sich damit einverstanden, unseren Newsletter von SACKit zu erhalten.

## KURZANLEITUNG

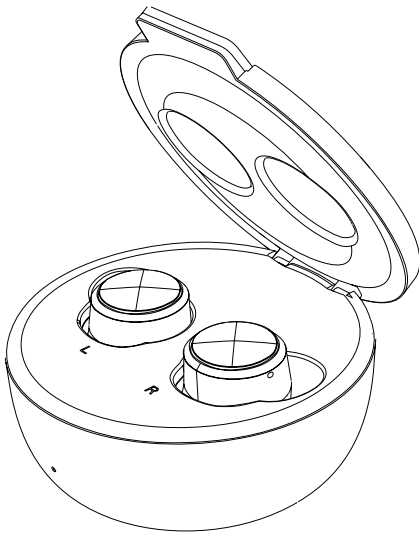
Bevor Sie Ihre SACKit Rock 250 Ohrhörer in Gebrauch nehmen, müssen Sie sie zuerst aufladen.

Legen Sie die SACKit Rock 250 Ohrhörer in die Ladebox, um sie aufzuladen.

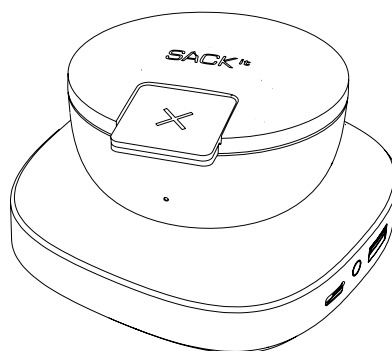
Die SACKit Rock 250 Ohrhörer können auf verschiedene Weise aufgeladen werden:

- 1: Legen Sie die SACKit Rock 250 Ladebox auf einem Qi Ladegerät, z.B. auf einem CHARGEit.
- 2: Benutzen Sie das mitgelieferte USB-C Kabel und eine 5V, 1A Stromversorgung.

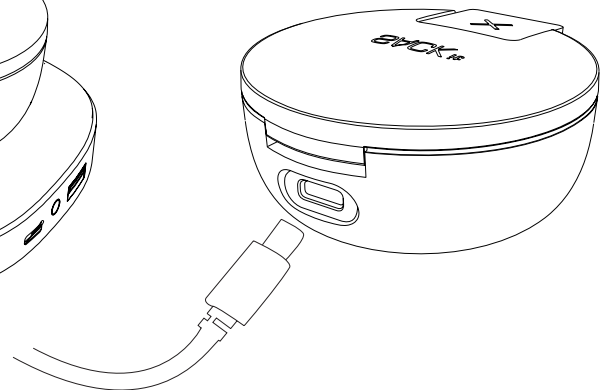
Vor der ersten Anwendung sollte SACKit Rock 250 für mindestens 2 Stunden aufgeladen werden.



Legen Sie die SACKit Rock 250 Ohrhörer in die Ladebox



Die Ladebox kann auf einem kabellosen Ladegerät aufgeladen werden



Die Ladebox kann ebenfalls mit Hilfe eines USB-C Kabels aufgeladen werden.

Vergessen Sie nicht Ihre Ohrhörer nach dem Gebrauch auszuschalten, um die Akkulaufzeit zu verlängern. Die Ohrhörer schalten sich automatisch aus, sobald sie in die Ladebox gelegt werden.

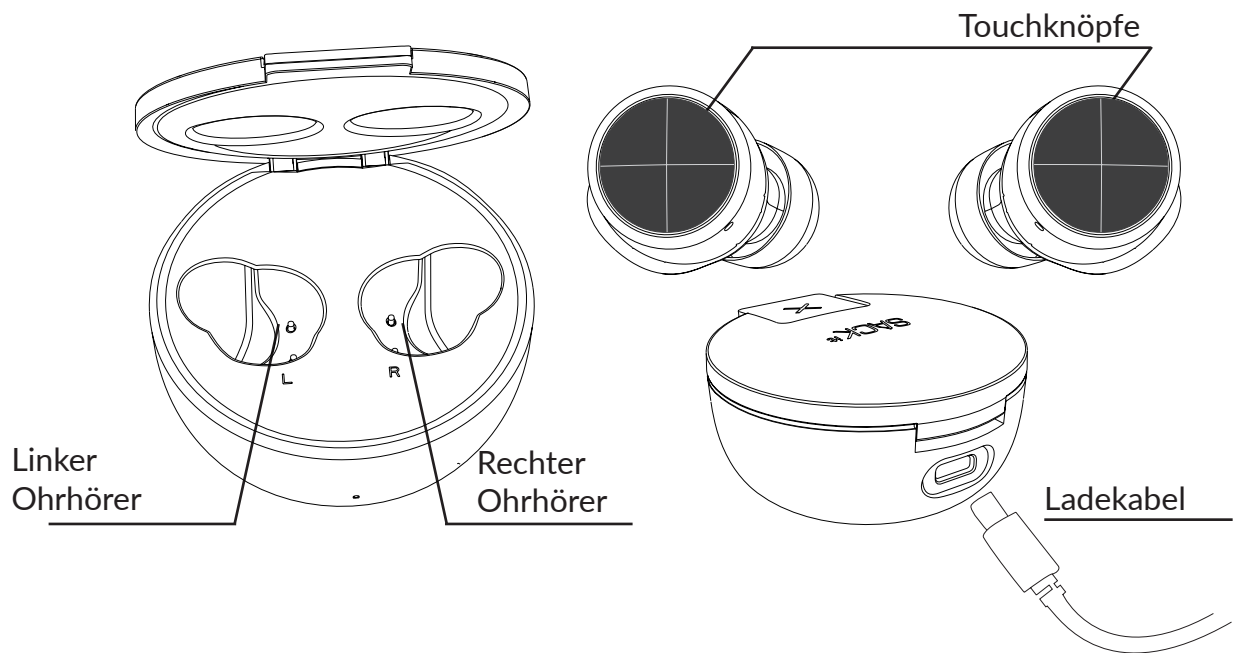
### Anwendung der SACKit Rock 250 Ohrhörer

1. Zuerst: Nehmen Sie die SACKit Rock 250 Ohrhörer aus der Ladebox. Beide Ohrhörer leuchten entlang der Kante Weiß auf.
2. Der linke Ohrhörer leuchtet innerhalb weniger Sekunden rot/weiß auf. SACKit Rock 250 ist im Paarungsmodus und Ihre Ohrhörer sind jetzt miteinander verbunden (True Wireless Stereo).
3. Aktivieren Sie die Bluetooth Funktion auf dem gewünschten Gerät.
4. Auf Ihrem Gerät müssen Sie „SACKit Rock 250“ in der Bluetooth Einstellung auswählen. Ihre Ohrhörer sind jetzt mit dem gewünschten Gerät gepaart.
5. Spielen Sie die Musik auf Ihrem Gerät ab.
6. Die SACKit Rock 250 Ohrhörer schalten sich automatisch ein und aus sobald sie in die Ladebox gelegt werden.
7. Manuelles Ein/Ausschalten sie können auch den Ohrhörer Button für 10 Sekunden gedrückt halten, um sie ein oder auszuschalten

SACKit Rock 250 stellt darauffolgend immer automatisch die Verbindung zu dem letzten gepaarten Gerät her



# PRODUKTBESCHREIBUNG

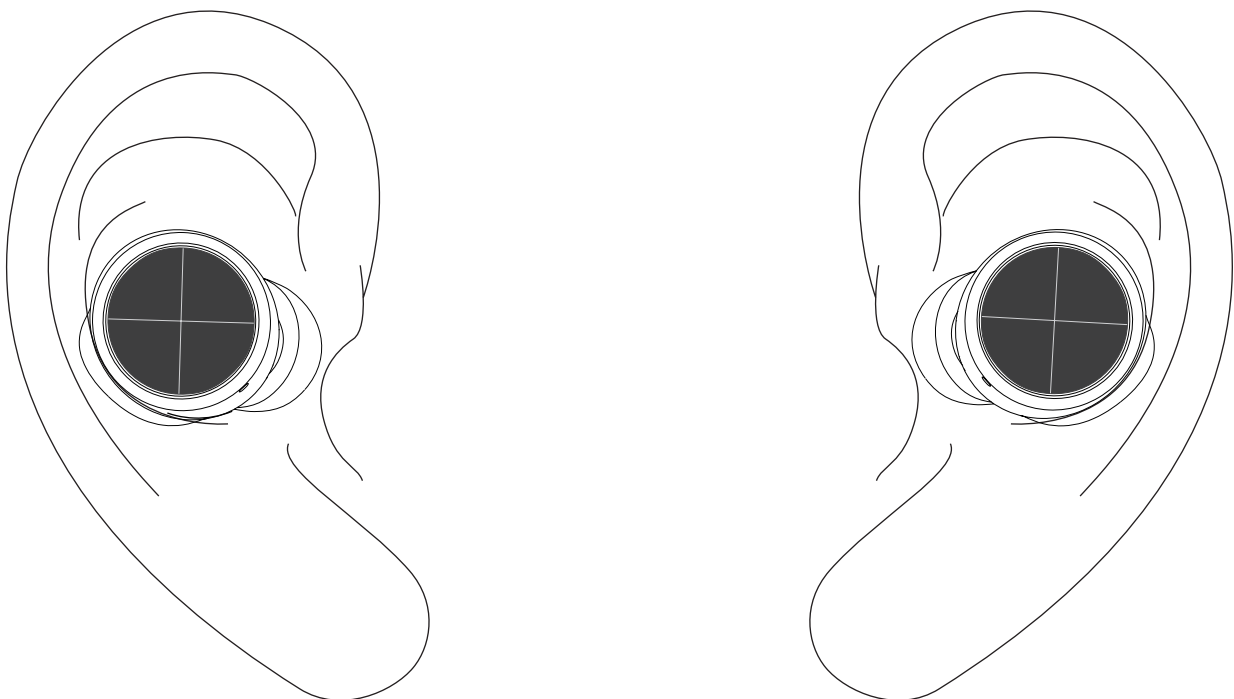


## Akku

- Akku: wiederaufladbarer Polymer Lithium-Ion Akku, DC: 3.7V/590mAh für die Ladebox,
- 2 x 85mAh für die Ohrhörer
- Stromversorgung: USB DC5V, benutzen Sie das mitgelieferte USB-C Kabel, um die Ladebox aufzuladen.
- Ladezeit: Vor der ersten Anwendung sollten Sie bitte den Akku vollaufladen. Dafür sollte er für mindestens 3 Stunden lang laden, danach immer 2 Stunden bei einer erneuten Aufladung.

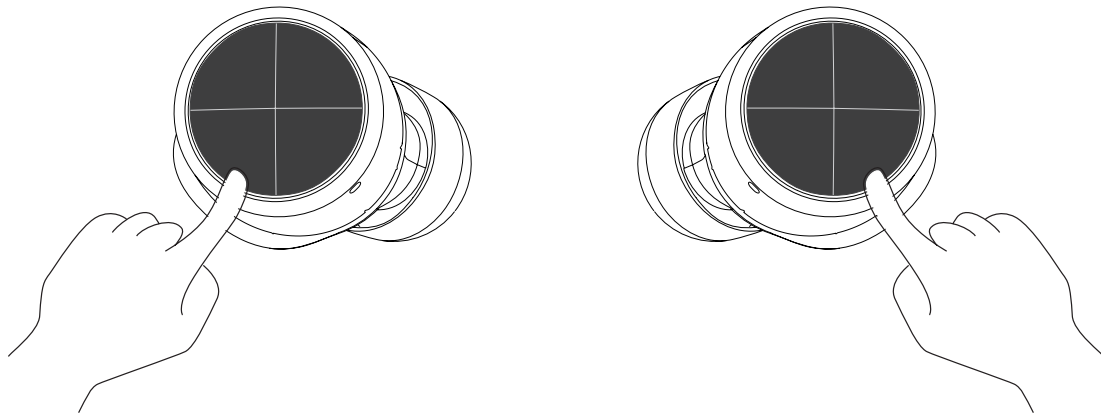
## Korrekte Nutzung der SACKit Rock 250 Ohrhörer

Bringen Sie die Ohrhörer wie unten abgebildet an. Hierbei ist es wichtig die inneren Stöpsel nach unten zu drehen. Sie können die Ohrhörer so lange drehen, bis Sie die richtige Passform gefunden haben.



## Anwendung der SACKit Rock 250 Ohrhörer

1. Zuerst: Nehmen Sie die SACKit Rock 250 Ohrhörer aus der Ladebox. Beide Ohrhörer leuchten entlang der Kante Weiß auf.
2. Der linke Ohrhörer leuchtet innerhalb weniger Sekunden rot/weiß auf. SACKit Rock 250 ist im Paarungsmodus und Ihre Ohrhörer sind jetzt miteinander verbunden (True Wireless Stereo).
3. Aktivieren Sie die Bluetooth Funktion auf Ihrem Gerät
4. Wählen Sie „SACKit Rock 250“ in der Bluetooth Einstellung auf Ihrem Gerät aus. Ihre Ohrhörer sind jetzt mit dem gewünschten Gerät gepaart.
5. Spielen Sie die Musik auf Ihrem Gerät ab.
6. Die SACKit Rock 250 Ohrhörer schalten sich automatisch ein und aus sobald sie in die Ladebox gelegt werden.
7. Das Ein- und Ausschalten erfolgt durch das Drücken des Ohrhörer Buttons für 10 Sekunden.



8. SACKit Rock 250 stellt darauffolgend immer automatisch die Verbindung zu dem letzten gepaarten Gerät her.
9. Um ein neues Gerät mit dem Ohrhörer zu paaren, muss die vorherige Paarung erst unterbrochen werden. Ansonsten können Sie nicht mit einem neuen Gerät verbinden.

## SACKit Rock 250 Bluetooth-Pairing

1. Nehmen Sie die SACKit Rock 250 Ohrhörer aus der Ladebox oder halten Sie den "X" Knopf für 10 Sekunden gedrückt. Nach den ersten 5 Sekunden ertönt ein Einschaltton. Halten Sie den Knopf für weitere 5 Sekunden gedrückt, um den Paarungsmodus zu aktivieren. Dieser Modus wird durch eine rot/weiße LED-Leuchte auf den Ohrhörern angezeigt.
2. Die Ohrhörer und Ihre Bluetooth Einheit sollten nicht weiter als 1 Meter voneinander entfernt sein. Überprüfen Sie, ob SACKit Rock 250 sowie die Bluetooth Einheit eingeschaltet sind.
3. Öffnen Sie die Bluetooth Einstellung auf Ihrem Gerät, suchen Sie nach der neuen Bluetooth Einheit. Wählen Sie SACKit Rock 250 auf der Liste aus.
4. Die Weiße LED-Leuchte auf sobald der Paarungsmodus erfolgreich abgeschlossen wurde.
5. Die SACKit Rock 250 Ohrhörer schalten Sie sich automatisch aus, sobald sie wieder in die Ladebox gelegt werden. Halten Sie den Knopf am Ohr gedrückt, um die Ohrhörer manuell auszuschalten.
6. SACKit Rock 250 kann bis zu 8 Geräte speichern: Sie können also 8 Geräte mit Ihrem SACKit Rock 250 paaren. Wenn Sie versuchen ein 9. Gerät zu paaren, wird das Erst gespeichertes Gerät automatisch gelöscht.

## Anleitung nach der ersten Verbindung

1. Nach dem ersten Verbindungsaufbau zwischen Ihren SACKit Rock 250 Ohrhörern und Ihrer Bluetooth Einheit wird die Verbindung automatisch wiederhergestellt
2. Um die Ohrhörer einzuschalten, halten Sie den Knopf entweder solange gedrückt bis Sie den Einschaltton hören. Sie können auch die Ohrhörer aus der Ladebox nehmen.
3. Die SACKit Rock 250 Ohrhörer schalten Sie sich automatisch aus sobald sie in die Ladebox gelegt werden. Halten Sie den Knopf am Ohr gedrückt, um die Ohrhörer manuell auszuschalten.

## Basisfunktionen für die SACKit Rock 250 Ohrhörer

| Linker Ohrhörer - Funktion            | Linker Ohrhörer - Bedienung am Ohr |
|---------------------------------------|------------------------------------|
| Lautstärke runter                     | 1x drücken                         |
| Vorheriges Lied                       | Für 2 Sekunden gedrückt halten     |
| Play/pause                            | 2 x drücken                        |
| SIRI®/Google™                         | 3 x drücken                        |
| Anrufe entgegen nehmen/Anrufe beenden | 2 x drücken                        |

| Rechter Ohrhörer - Funktion           | Rechter Ohrhörer - Bedienung am Ohr |
|---------------------------------------|-------------------------------------|
| Lautstärke hoch                       | 1x drücken                          |
| Vorheriges Lied                       | Für 2 Sekunden gedrückt halten      |
| Play/pause                            | 2 x drücken                         |
| SIRI®/Google™                         | 3 x drücken                         |
| Anrufe entgegen nehmen/Anrufe beenden | 2 x drücken                         |

## LED Leuchten - SACKit Rock 250 Ohrhörer

| Wenn die Ohrhörer in der Ladebox laden            | LED Funktionen                    |
|---|-----------------------------------|
| Rotes leuchten                                    | Ohrhörer lädt                     |
| LED aus   | Ohrhörer sind aufgeladen          |
| Wenn die Ohrhörer gebraucht werden - LED Funktion | LED Funktionen                    |
| Weißes leuchten                                   | Ohrhörer mit einem Gerät gepaart  |
| Weiß/rotes Leuchten                               | Pairing Modus                     |
| 4 x rotes leuchten jede Minute                    | Ohrhörer müssen aufgeladen werden |

## LED Funktionen - SACKit Rock 250 Ladebox

| Wenn die Ohrhörer in der Ladebox laden | LED Funktionen       |
|--|----------------------|
| 1 blink                                | 0-25% Akkulaufzeit   |
| 2 blink                                | 25-50% Akkulaufzeit  |
| 3 blink                                | 50-75% Akkulaufzeit  |
| 4 blink                                | 75-100% Akkulaufzeit |
| LED aus                                | Voll aufgeladene     |

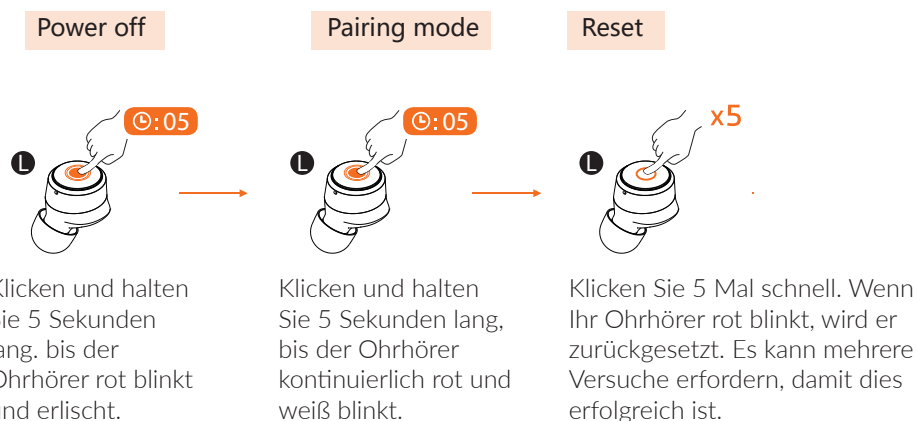
  

| Wenn die Ohrhörer gebraucht werden - LED Funktion | LED Funktionen       |
|---|----------------------|
| 1 blink   | 0-25% Akkulaufzeit   |
| 2 blink   | 25-50% Akkulaufzeit  |
| 3 blink   | 50-75% Akkulaufzeit  |
| 4 blink   | 75-100% Akkulaufzeit |
| LED an  | Voll aufgeladen      |

## DAS ZURÜCKSETZEN DER SACKit Rock 250 OHRHÖRER

Wir haben einen Clip für Sie zusammengestellt, wo Sie genau sehen können, was Sie machen müssen, um Ihre Ohrhörer zurückzusetzen. Jetzt auf unserem SACKit's YouTube Kanal ansehen: <https://bit.ly/34TWCjk>

1. Bevor Sie die Ohrhörer zurücksetzen ist es wichtig, dass Sie „SACKit Rock 250“ aus Ihrer Bluetooth Liste auf Ihrem Handy löschen.
2. Schalten Sie anschließend die Bluetooth Funktion auf Ihrem Handy aus
3. Legen Sie beide Ohrhörer in die Ladebox
4. Nehmen Sie wieder beide Ohrhörer aus der Ladebox
5. Gehen Sie wie folgt unten vor, zuerst mit dem einen Ohrhörer, dann mit dem anderen.



6. Legen Sie beide Ohrhörer in die Ladebox und warten Sie 10 Sekunden ab, bevor Sie beide gleichzeitig wieder rausnehmen.
7. Folgen Sie der Anleitung „SACKit Rock 250 Bluetooth-Pairing“ auf Seite 26

Hat es nicht funktioniert? Ok zuallererst keine Panik! Ihre SACKit Rock 250 Ohrhörer funktionieren ohne Problem, wenn Sie diese Schritte befolgen:

- Blinkt eine rote LED-Leuchte? Wenn nicht, dann wurden Ihre SACKit Rock 250 Ohrhörer noch nicht zurückgestellt. Es ist wichtig, dass sie schnell 5 Mal nacheinander drücken. Dieser Vorgang erfordert vielleicht einige Versuche.
- Wenn die LED-Leuchte rot aufleuchtet, ist es geschafft! Ihre Ohrhörer wurden zurückgesetzt. Sie müssen sie jedoch noch einmal für 10 Sekunden in die Ladebox legen, bevor Sie sie wieder paaren können.

## FEHLERSUCHE

Wenn Sie Probleme mit der Bedienung Ihrer SACKit Rock 250 Ohrhörer haben, bitten wir Sie folgenden Lösungen auszuprobieren, sollte dieses nicht helfen, kontaktieren Sie bitte unseren Kundendienst [info@sackit.dk](mailto:info@sackit.dk).

### ***Meine SACKit Rock 250 Ohrhörer sind nicht miteinander verbunden***

- Versuchen Sie die Ohrhörer zurückzustellen (lesen Sie mehr auf Seite 27). Danach müssen Sie eine erneute Paarung vornehmen (lesen Sie mehr auf Seite 26).

### ***Meine SACKit Rock 250 Ohrhörer sind unstabil in der Verbindung***

- Versuchen Sie die Paarung zu löschen. Löschen Sie „SACKit Rock 250“ aus Ihrer Bluetooth Übersicht auf Ihrem Gerät. Verbinden Sie aufs Neue, gehen Sie wie folgt auf Seite 26 vor.

### ***Aus meinen SACKit Rock 250 Ohrhörern ertönt keine Musik, obwohl Sie mit meinem Gerät verbunden sind***

- Wenn Ihre Ohrhörer keine Musik abspielen, obwohl sie mit Ihrem Gerät verbunden sind, dann müssen SACKit Rock 250 selbst aus Ihrer Liste auswählen. Dafür müssen Sie Gebrauchsanleitung Ihres Gerätes durchlesen

### ***Meine Ohrhörer schalten sich nicht aus, wenn Sie in die Ladebox gelegt werden***

- Wenn sich die Ohrhörer in der Ladebox nicht ausschalten lassen liegt es daran, dass der Akku der Ladebox leer ist. Sie können Ihre SACKit Rock 250 Ohrhörer manuell ausschalten, indem Sie den Knopf am Ohr für 10 Sekunden gedrückt halten. Danach müssen Sie die erneut die Ladebox aufladen

### ***Meine Ohrhörer haben nicht die gleiche Lautstärke***

- Da SACKit Rock 250 In-Ear Ohrhörer sind, können Sie mit Schmutz und Ohrenschmalz zugestopft werden. Um diesen zu entfernen, müssen Sie die Stöpsel abnehmen und das kleine Filter reinigen. Wie man die Ohrhörer genau reinigt, erfahren Sie auf Seite 30.
- Sollten Sie Probleme mit der Reinigung erleben, kontaktieren Sie unseren Kundendienst auf [info@sackit.dk](mailto:info@sackit.dk)

### ***Meine Ohrhörer schalten sich nicht ein, wenn sie aus der Ladebox genommen werden***

- Der Akku Ihrer Ohrhörer könnte leer sein. Legen Sie die Ohrhörer zurück in die Ladebox. Laden Sie die Ladebox für mindestens 2 Stunden auf und versuchen es noch einmal.

## REINIGUNG

1. Schalten Sie die SACKit Rock 250 Ohrhörer vor dem Säubern aus und nehmen Sie sie aus der Ladebox. Ihre Ohrhörer lassen sich manuell ausschalten, indem Sie den Knopf am Ohr für 10 Sekunden gedrückt halten
2. Benutzen Sie kein Wasser, Reinigungsmittel, Lösungsmittel oder andere Flüssigkeiten für die Reinigung Ihrer SACKit Rock 250 Ohrhörer.
3. Für die Reinigung müssen Sie die Stöpsel abnehmen, damit das Gitter zum Vorschein kommt.
4. Säubern Sie das Gitter mit einem trockenen Wattestäbchen.
5. Benutzen Sie ein weiches, trockenes und Fussel Freises Tuch, um die Ohrhörer abzuwischen. Nach dem Reinigen legen Sie die Ohrhörer wieder zurück in die Ladebox.

ACHTUNG: Vermeiden Sie den Gebrauch von spitzen Gegenständen bei der Reinigung, weder bei den Ohrhörern noch bei der Ladeboxopladningsæske eller earbuds.

## PRODUKTANGABEN

- Modell: SACKit Rock 250 Ohrhörer
- IP Grad: IPX5
- Bluetooth version: V5.0
- Bluetooth Solution: Realtek
- Max. Reichweite: 10M
- Akku: 590mAh Ladebox, 2 x 85mAh Ohrhörer
- Ladezeit: 2 Stunden
- Ladespannung: 500mA
- Spielzeit: Bis zu 8 Stunden bei einer vollen Akkuladung
- 20 Stunden zusätzlich durch die Ladebox
- Sprechzeit: Bis zu 6 Stunden
- Treiber Einheit: Ø6mm
- Frequenz: 20Hz-20KHz
- Impedanz:  $16\pm 15\Omega$  at 1000Hz
- USB-C ein: 5V/500mAh
- Qi ein: 3W
- Größe: 68.5\*64\*32mm
- Gewicht: 60g

## WICHTIGE SICHERHEITSHINWEISE

Lesen Sie bitte folgende Anweisungen um sicher zu stellen, dass Sie Ihren SACKit Rock 250 sicher und korrekt handhaben. Bei Produktschäden als Folge einer Falschanwendung kann die Garantie nicht geltend gemacht werden.

### **Achtung!**

Um einen möglichen Brand, Schäden oder Stromschläge zu vermeiden, beachten Sie bitte folgendes:

- Es ist nicht erlaubt einzelne Teile zu entfernen oder zu ersetzen. Falls Schäden am Gerät vorhanden sind, kontaktieren Sie bitte eine professionelle Werkstatt oder ein Servicecenter
- Stellen Sie den Lautsprecher nicht zu nahe an kräftiger Hitze oder in das direkte Sonnenlicht
- Bei Donnerwetter sollten Sie das Gerät ausschalten
- Seien Sie bei der Bedienung des Lautsprechers vorsichtig
- Wenn der Lautsprecher bei der Lieferung unter 5 Grad sein sollte, warten Sie bitte mit dem Einschalten. Der Lautsprecher sollte mindestens Raumtemperatur haben, bevor Sie diesen anschließen
- Überhitzung der Lautsprecher sollte vermieden werden
- Bevor Sie das Ladegerät und den Lautsprecher mit der Steckdose verbinden, sollten Sie sicherstellen, dass die Spannung korrekt ist. Falls nicht, benutzen Sie diesen bitte nicht.

## ENTSORGUNG

ROCKit ist aus wiederverwendbaren Materialien hergestellt. Der Lautsprecher darf nicht im Haushaltsmüll entsorgt werden und muss nach den geltenden Richtlinien für Elektronikmüll entsorgt werden. Eine falsch Entsorgung schadet die Umwelt.

## REKLAMATION

Falls Sie Reklamationen oder ein defektes Produkt erhalten haben, wenden Sie sich bitte an unseren Kundendienst. Sollten Ihre Ohrhörer kaputt sein, benötigen wir die Seriennummer Ihres Produktes. Sie finden die Seriennummer auf der Rückseite der Verpackung



SACK<sup>it</sup>®