

SACKit Rock 300

USER MANUAL

BRUGERMANUAL

GEBRAUCHSANLEITUNG



SACKit®

CONTENT



THANK YOU!	3
QUICK START GUIDE	4
HOW TO PLAY MUSIC	4
THE DEVICE	5
RESET SACKIT ROCK 300	8
TROUBLESHOOTING	9
CLEANING OF THE PRODUCT	10
TECHNICAL SPECIFICATIONS	10
IMPORTANT SAFETY INFORMATION	11
DISPOSAL OF THE PRODUCT	12
COMPLAINTS	12



TAK!	13
QUICK START GUIDE	14
SÅDAN AFSPILLER DU MUSIK	14
BESKRIVELSE AF PRODUKTET	15
RESET SACKIT ROCK 300	18
TROUBLESHOOTING	19
RENGØRING AF PRODUKTET	20
TEKNISKE SPECIFIKATIONER	20
VIGTIG SIKKERHEDSINFORMATION	21
BORTSKAFFELSE AF PRODUKTET	22
REKLAMATIONER	22



VIELEN DANK!	23
KURZANLEITUNG	24
ANWENDUNG DER SACKIT ROCK 300 OHRHÖRER	24
PRODUKT BESCHREIBUNG	25
DAS ZURÜCKSETZEN DER SACKIT ROCK 300 OHRHÖRER	28
FEHLERSUCHE	29
REINIGUNG	30
PRODUKTANGABEN	30
WICHTIGE SICHERHEITSHINWEISE	31
ENTSORGUNG	32
REKLAMATION	32



THANK YOU!

Thank you for purchasing the SACKit Rock 300 True Wireless Earbuds from SACKit. Please read the entire instruction manual before using the product and save it for future reference. We reserve the right to change or update information and to correct errors, inaccuracies, or omissions in text, images, and technical data. If you have any questions regarding technical problems please contact our customer services. We hope you will enjoy your new SACKit Rock 300 True Wireless Earbuds.

Let SACKit rock your life!

QUICK START GUIDE

When you first get your SACKit Rock 300 you need to charge them before they are ready for use.

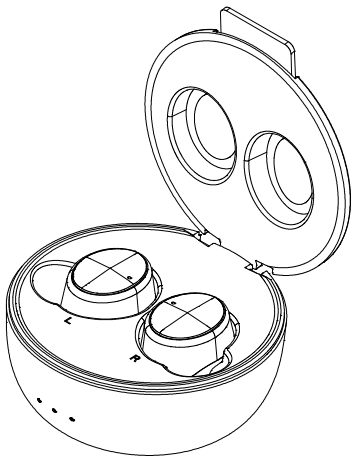
Start by placing your SACKit Rock 300 earbuds in the charging case. This is how the earbuds charge.

Now charge the charging case by either of 2 options.

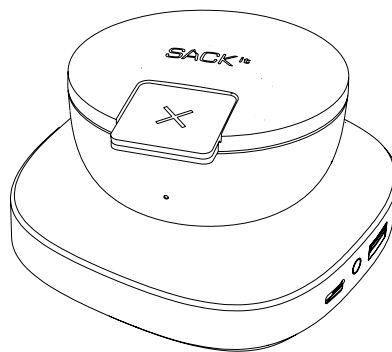
1: Place the charging case on a Qi wireless charger, like SACKit's own CHARGEit.

2: Use the attached USB-C cable and any 5V, 1A power supply.

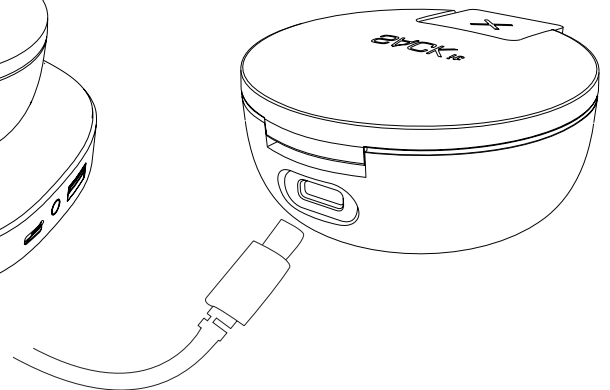
Charge for 2 hours minimum.



Place SACKit Rock 300 earbuds in the charging case.



The charging case can charge on a wireless charger.



The charging case can also be charged with a USB-C cable.

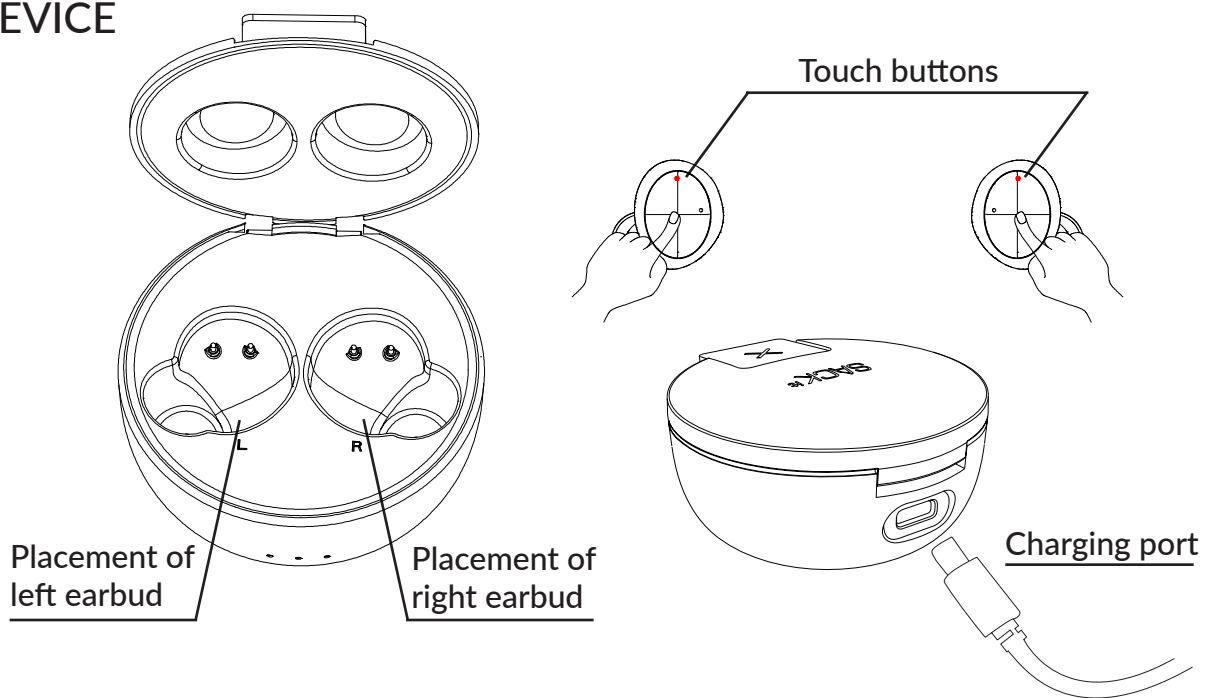
Please turn off your earbuds after use to get a longer battery life. The earbuds turn off automatically when placed in the charging case.

HOW TO PLAY MUSIC:

1. For first use: remove SACKit Rock 300 earbuds from the case. Both earbuds will flash on the top edge LED
2. Switch on Bluetooth on your device
3. Choose "SACKit Rock 300" under Bluetooth settings on your device. Your earbuds are now connected with your device.
4. Start playing music on your device
5. SACKit Rock 300 automatically switches on/off when connected/disconnected to the charging case. Manually power on/off by holding down the earbud buttons for 5 seconds
6. SACKit Rock 300 will automatically pair with the last connected device
7. To connect to a new device tap the earbud button 6 times. This works on either earbud

To connect to a new device make sure that the previous connected device is disconnected otherwise connecting opportunity won't appear on the new device.

THE DEVICE

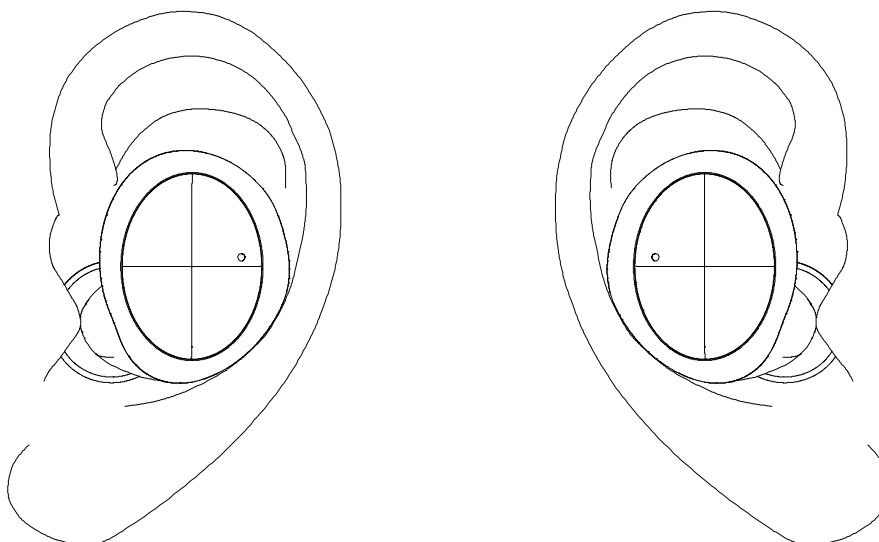


BATTERY INFORMATION

- Battery: rechargeable Polymer Lithium-Ion Battery, DC: 3.7V/590mAh for charging case, 2 x 50mAh for earbuds
- Power: USB DC5V, Please use the USB-C cable included with SACKit ROck 300 earbuds for charging
- Charging Time: For first time use please be sure the battery has been charged fully before use. It needs more than 2 hours of charging the first time, then 2 hours for recharging

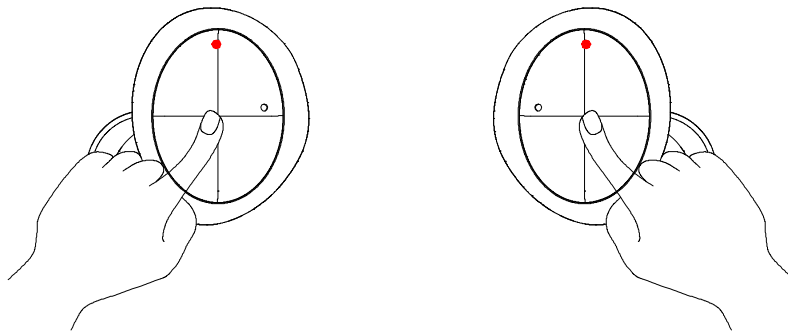
CORRECT PLACEMENT OF THE SACKIT ROCK 300 EARBUDS

Place the earbuds in the ears like shown below. It is important that you place the inside ear support downwards. You can twist the earbuds until you find the right placement.



USE SACKIT ROCK 300 EARBUDS

1. For first use: Remove SACKit Rock 300 earbuds from the case. Both earbuds will blink white on the top edge LED
2. The left earbud will blink red/white, indicating SACKit Rock 300 is in pairing mode and the earbuds are connected via True Wireless Stereo .
3. Switch on Bluetooth on your device
4. Choose "SACKit Rock 300" under Bluetooth settings on your device. Your earbuds are now connected with your device
5. Start playing music on your device
6. SACKit Rock 300 automatically switches on/off when connected/disconnected to the charging case. Manually power on/off by holding down the earbud buttons for 5 seconds.



7. SACKit Rock 300 will automatically pair with the last connected device.
8. To connect to a new device make sure that the previous connected device is disconnected otherwise connecting opportunity won't appear on the new device.
9. SACKit Rock 300 can remember 8 devices: You can pair 8 units with your SACKit Rock 300, at 9th unit SACKit Rock 300 will forget the first connected.

OPERATION INSTRUCTIONS FOR USE AFTER FIRST PAIRING

1. After first time pairing your SACKit Rock 300 earbuds and Bluetooth device will automatically re-connect.
2. Turn the earbuds on by holding down the X button until you hear the ON sound or by removing the earbuds from the case
3. Long press X button to turn off

BASIC FUNCTIONS OF SACKIT ROCK 300 EARBUDS

Left earbud - function	Right earbud - function
1 tap: Volume down	1 tap: Volume up
Hold for 1 second: Previous song	Hold for 1 second: Next song
2 taps: Play/pause	2 taps: Play/pause
3 taps: SIRI®/Google™	3 taps: SIRI®/Google™
1 tap: Answer call	1 tap: Answer call
2 taps: End call	2 taps: End call
Hold 2 seconds: VoiceThrough on/off	Hold 2 seconds: Active Noise Cancelation (ANC)

LED FUNCTIONS FOR SACKIT ROCK 300 CASE

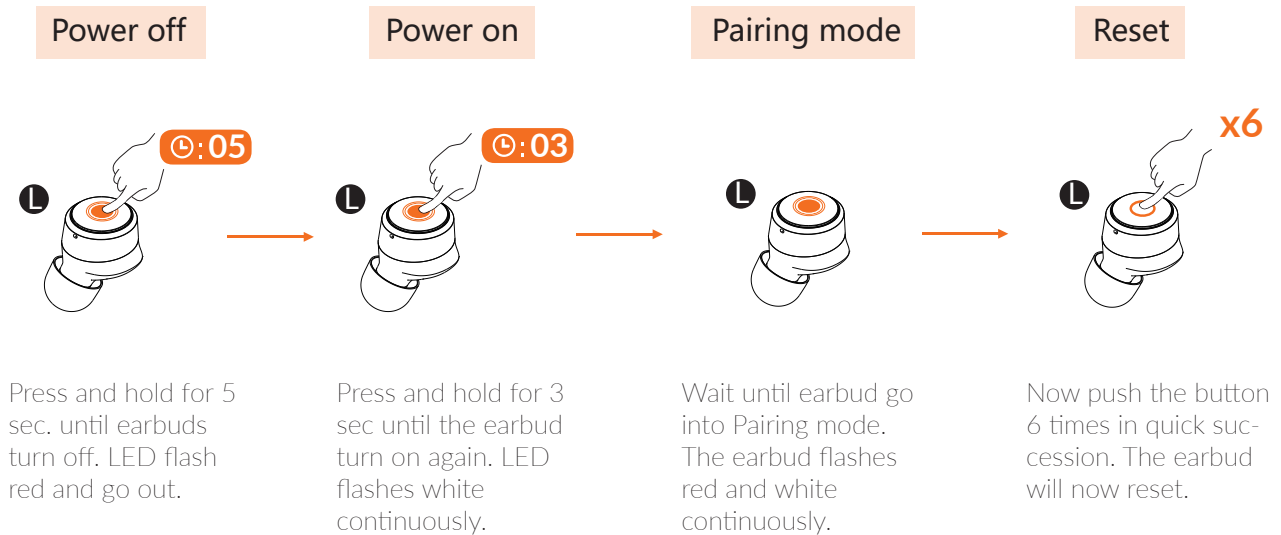
When earbuds are charging in case	When case is charging by plug/wireless
1st LED flash - 0-33% power in the charging case	1 LED flash - 0-33% power in the charging case
2nd LED flash - 33-66% power in the charging case	2 LEDs flash - 33-66% power in the charging case
3rd LED flash - 66-100% power in the charging case	3 LEDs flash - 66-100% power in the charging case
LEDs off - fully charged earbuds	All LEDs off - fully charged case

LED FUNCTIONS FOR SACKIT ROCK 300 EARBUDS

When earbuds are charging in case	When earbuds are in use
Red flashing - earbuds are charging	Red flashing - earbuds are not paired
White/red flashing - pairing mode	White/red flashing - pairing mode
	4 red flashes each minute - earbuds needs charging

RESET SACKIT ROCK 300

1. Before you reset make your device forget SACKit Rock 300 in the Bluetooth settings on your device
2. Turn Bluetooth OFF before resetting SACKit Rock 300
3. Place both earbuds in the charging case
4. Take both earbuds out of the charging case
5. Follow the steps below (one earbud at a time)



6. When both earbuds are reset, put them back into the charging case and wait 10 sec. before taking both earbuds up at the same time. The earbuds will automatically pair with each other.
7. Now follow "Use SACKit Rock 300 earbuds" on page 6.

TROUBLESHOOTING

If you have trouble using your SACKit Rock 300 we ask you to try the following solutions. If these solutions does not fix your problem please contact our customer service at info@sackit.dk.

My SACKit Rock 300 earbuds are not connected to each other

- Try resetting your SACKit Rock 300 earbuds following the description on page 8. You can now reconnect SACKit Rock 300 to your device by following the description found on page 6.

I experience issues with stability and connection

- Try to delete the pairing between SACKit Rock 300 and your device on the device. You do this by accessing the Bluetooth settings on your device and choose "forget SACKit Rock 300". Now pair SACKit Rock 300 and your device by following the description found on page 6.

SACKit Rock 300 is not playing music while connected to my device

- If SACKit Rock 300 is not playing music even though your device shows it should be you have to manually choose to play from SACKit Rock 300 in your device settings. Please refer to the instruction of your device or specific app for further information.

My SACKit Rock 300 does not turn off when placed in the charging case

- If SACKit Rock 300 earbuds do not turn off when placed in the charging case the case needs to be charged. Please turn off the earbuds manually by pressing the touch button on one of the earbuds for 5 seconds and charge your SACKit Rock 300 case.

My earbuds do not play with the same sound volume

- As SACKit Rock 300 is an in-ear headset they can be clogged with earwax and dirt. Try removing the silicone tips from the earbuds and clean the small filter. Please follow the cleaning guide found on page 10.
- If it is not possible to clean the filter or this does not solve the problem, please contact our customer service on info@sackit.dk

My SACKit Rock 300 earbuds do not turn on when they are removed from the charging case

- Try placing the earbuds into the charging case and charge SACKit Rock 300 for minimum 2 hours before using the earbuds .

CLEANING OF THE PRODUCT

1. Kindly switch off SACKit Rock 300 before you clean it and remove the earbuds from the charging case. The earbuds can manually be turned off by pressing the touch button on one of the earbuds for 10 seconds.
2. Do not use any water, cleaner or chemicals to clean the earbuds
3. To clean the earbuds, remove the small silicone tip and expose the black speaker fabric
4. Use a dry cotton swab to gently clean the speaker fabric
5. Use a soft, dry, and lint-free cloth to wipe the entire earbud and charging case
6. After cleaning please place the earbuds back into the charging

NOTE: Avoid using sharp objects to clean SACKit Rock 300 earbuds and charging case.

TECHNICAL SPECIFICATIONS

- Model: SACKit Rock 300
- IP grade: IPX4
- Bluetooth version: V5.0
- Operating distance: 10M
- Battery: 590mAh charging case, 2 x 50mAh earbuds
- Charging time: 2 hours
- Charging current: 500mA
- Music playing time: Up to 8 hours for earbuds without charging
20 hours of playing time added by the charging case
- Earbuds call time: Up to 6 hours
- Frequency Range: 20Hz-20KHz
- Impedence: $16\pm 15\Omega$ at 1000Hz
- USB-C input: 5V/500mAh
- Qi input: 3W
- Size: 68.5*64*32mm
- Weight: 60g

IMPORTANT SAFETY INFORMATION

Please read the following information and operate the product and accessories accordingly to ensure correct and safe use of the product. We are not responsible for damage caused by failure to comply with the instructions or irresponsible use of the product.

Warning

To prevent any fires or electrical hazards please act according to the following guidelines:

- Do not disassemble or replace any parts of this device. Please contact professional maintenance or qualified service center if there is any damage to the device.
- Do not place in any liquid
- If any liquids flows inside the product, please shut down the product and contact customer service center
- Do not place this device in or close to sources of excessive heat or fire. (Such as: candles, fireplaces or direct sunlight)
- Please shut down in lightning weather
- Keep this device away from any dust and vibration.
- Do not use excessive force when using any of the control buttons.
- If the product is below 5°C when you receive it, please open the product packaging and wait for it to reach room temperature.
- To prevent overheating of the product is it necessary to keep a cleared area of 10 cm around the product while charging
- Be sure to place this device on stable, flat and level surfaces while charging.

DISPOSAL OF THE PRODUCT

SACKit Rock 300 made from recyclable and high quality materials. Do not dispose of together with living garbage. Please understand the local classification about collecting electronical, electrical products that contains batteries. Correct disposal of the product will help to prevent negative impact to the environment.

COMPLAINTS

Please contact our customer service if you have a complaint or a pair of broken SACKit Rock 300 earbuds. If your earbuds has a defect, please inform your serial number, when you contact us. You will find the serial number on the bottom of the charging case.



TAK!

Tak fordi du valgte SACKit Rock 300 True Wireless Earbuds fra SACKit. Vi beder dig læse hele denne brugermanual grundigt, før du tager SACKit Rock 300 i brug. Gem venligst brugermanualen, så du altid kan slå op i den. Vi tager forbehold for fejl i tekst eller billeder og nødvendige ændringer i de tekniske specifikationer. Hvis du oplever tekniske problemer, beder vi dig kontakte vores kundeservice. Vi håber, du får stor glæde af din nye SACKit Rock 300 True Wireless Earbuds.

Let SACKit rock your life!

QUICK START GUIDE

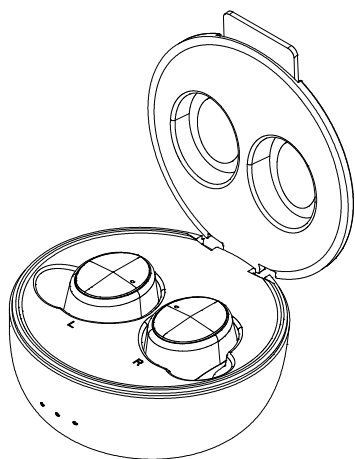
Når du modtager dine SACKit Rock 300 skal de oplades før de er klar til brug.

Dine SACKit Rock 300 skal placeres i den tilhørende opladeræske, da dette er sådan SACKit Rock 300 oplades.

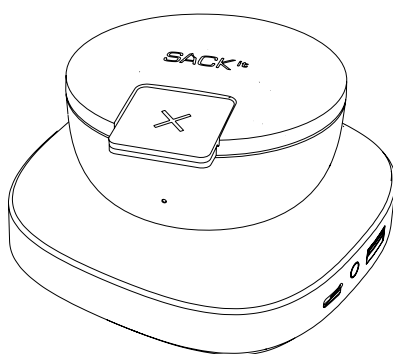
Nu kan SACKit Rock 300 oplades på en af følgende måder:

- 1: Placer din SACKit Rock 300 æske på en Qi trådløs oplader, så som SACKit's egen CHARGEit.
- 2: Brug det medfølgende USB-C stik og en 5V, 1A power adapter.

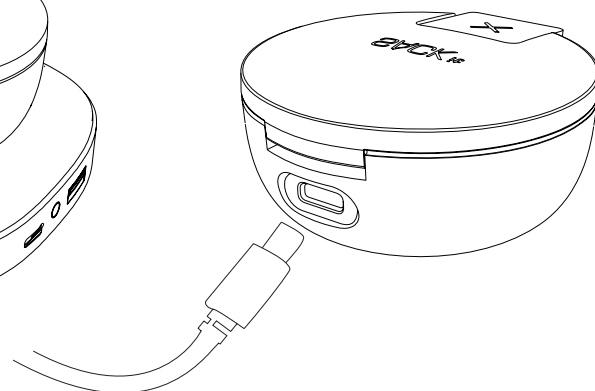
SACKit Rock 300 skal oplades i minimum 2 timer før brug.



Placer SACKit Rock 300
earbuds i opladningsæsken



Opladningsæsken kan oplade
på en trådløs oplader



Opladningsæsken kan også
oplade via et USB-C kabel

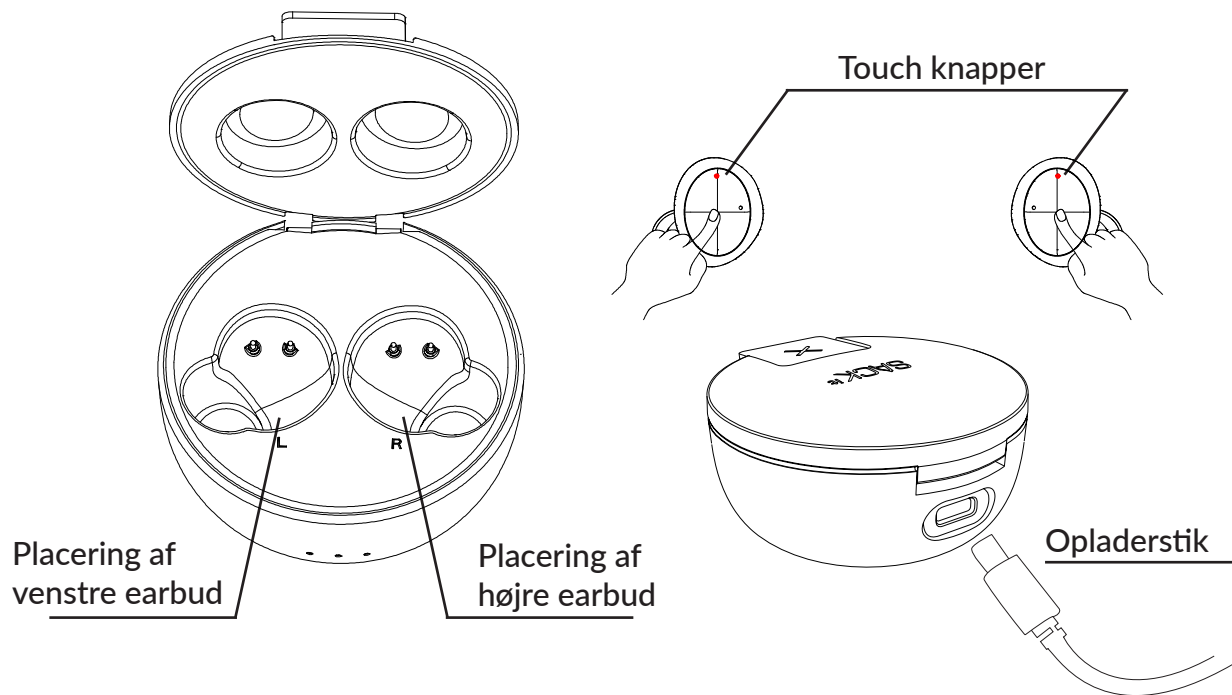
Husk at slukke dine earbuds efter brug for at øge batteriernes levetid. SACKit Rock 300's earbuds slukker automatisk når de ligges i opladningsæsken

SÅDAN AFSPILLER DU MUSIK

1. Første anvendelse: Tag SACKit Rock 300 earbuds ud af æsken. Begge earbuds blinker i kantens LED.
2. Tænd Bluetooth på den enhed, du vil tilslutte
3. Vælg "SACKit Rock 300" under Bluetooth indstillingerne på din enhed. Dine earbuds er nu parret med enheden
4. Start afspilning af musik på din enhed
5. SACKit Rock 300 tænder/slukker automatisk, når de fjernes/sættes i opladeræsken. Alternativt holdes earbud knapperne inde i mere end 5 sekunder, for manuelt tænd/sluk
6. SACKit Rock 300 parrer efterfølgende automatisk med den sidst tilsluttede enhed
7. For at koble til ny enhed, trykkes der 6 gange på earbud knappen. Dette virker på begge earbuds

For at oprette forbindelse til en ny enhed skal du sørge for, at den tidligere tilsluttede enhed er afbrudt, ellers vises tilslutningsmuligheden ikke på den nye enhed.

BESKRIVELSE AF PRODUKTET

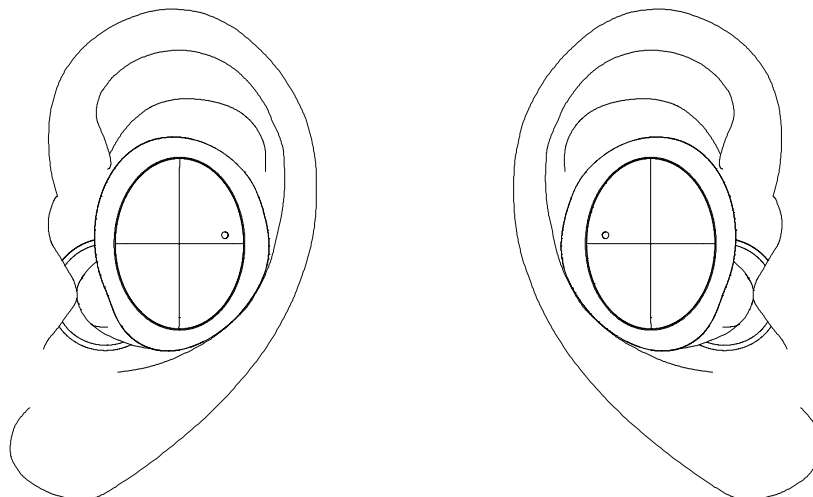


BATTERI INFORMATION

- Batteri: genopladeligt Polymer Lithium-Ion Batteri, DC: 3.7V/590mAh for opladeræske, 2 x 50mAh for earbuds
- Strøm: USB DC5V, Anvend det medfølgende USB-C kabel til opladning af æsken
- Opladningstid: Til første brug venligst sikre at batteriet er fuldt opladet inden anvendelse. Det skal oplade mere end 2 timer første gang, og 2 timer ved genopladning

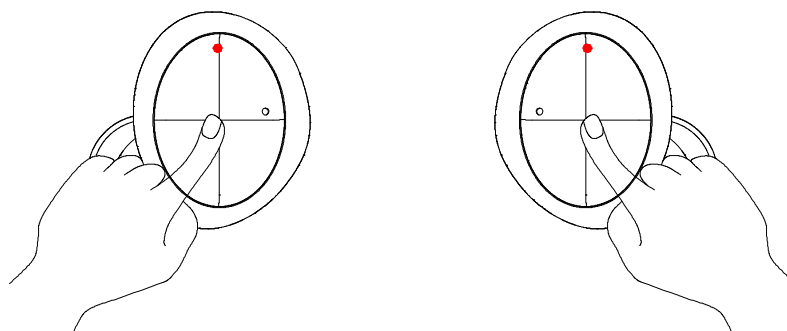
KORREKT PLACERING AF SACKIT ROCK 300 EARBUDS

Placer earbuds i ørerne som vist på billedet nedenfor. Det er vigtigt at du placerer den indvendige ørestøtte nedad i øret. Du kan dreje dine earbuds indtil du finder den rette placering.



SÅDAN BRUGER DU SACKIT ROCK 300 EARBUDS

1. Til første brug: Fjern SACKit Rock 300 earbuds fra opladeræsken. Begge earbuds vil blinke hvidt i kantens LED
2. Den venstre earbud vil efterfølgende blinke rød/hvid, som indikerer at SACKit Rock 300 er i pairing mode og dine earbuds er koblet sammen via True Wireless Stereo
3. Tænd for Bluetooth på din enhed
4. Vælg "SACKit Rock 300" under Bluetooth indstillinger på din enhed. Dine earbuds er nu tilkoblet din enhed
5. Du kan nu starte musikken på din enhed
6. SACKit Rock 300 tænder/slukker automatisk når earbuds indsættes/udtages af opladeræsken. Manuelt tænd/sluk SACKit Rock 300 ved at holde touch knapperne på earbuds nede i 5 sekunder



7. SACKit Rock 300 vil automatisk parre med sidst tilkoblede enhed
8. For at tilkoble en ny enhed skal du først frakoble tidligere parret enhed ellers vises SACKit Rock 300 ikke på den nye enhed.
9. SACKit Rock 300 kan huske 8 enheder: Du kan parre 8 enheder til din SACKit Rock 300, ved 9 enhed glemmer SACKit Rock 300 den først tilføjede.

BETJENING EFTER FØRSTE PARRING

1. Efter første parring vil SACKit Rock 300 earbuds og Bluetooth enheden automatisk genetablere forbindelse
2. Tænd earbuds ved at holde touch knappen nede indtil du hører en ON lyd, eller ved at fjerne earbuds fra opladeræsken
3. SACKit Rock 300 slukker automatisk når de placeres i opladeræsken. Hold touch knappen inde for manuelt at slukke dine SACKit Rock 300 earbuds

BASIC FUNKTIONER FOR SACKIT ROCK 300 EARBUDS

Venstre earbud - funktion	Højre earbud - funktion
1 tryk: Volume ned	1 tryk: Volume op
Hold inde i 1 sek: Førrige sang	Hold inde i 1 sek: Næste sang
2 tryk: Play/pause	2 tryk: Play/pause
3 tryk: SIRI®/Google™	3 tryk: SIRI®/Google™
1 tryk: Tag opkald	1 tryk: Tag opkald
2 tryk: Afslut opkald	2 tryk: Afslut opkald
Hold inde i 2 sek: VoiceThrough on/off	Hold inde i 2 sek: Active Noise Cancelation (ANC)

LED FUNKTIONER FOR SACKIT ROCK 300 ÆSKEN

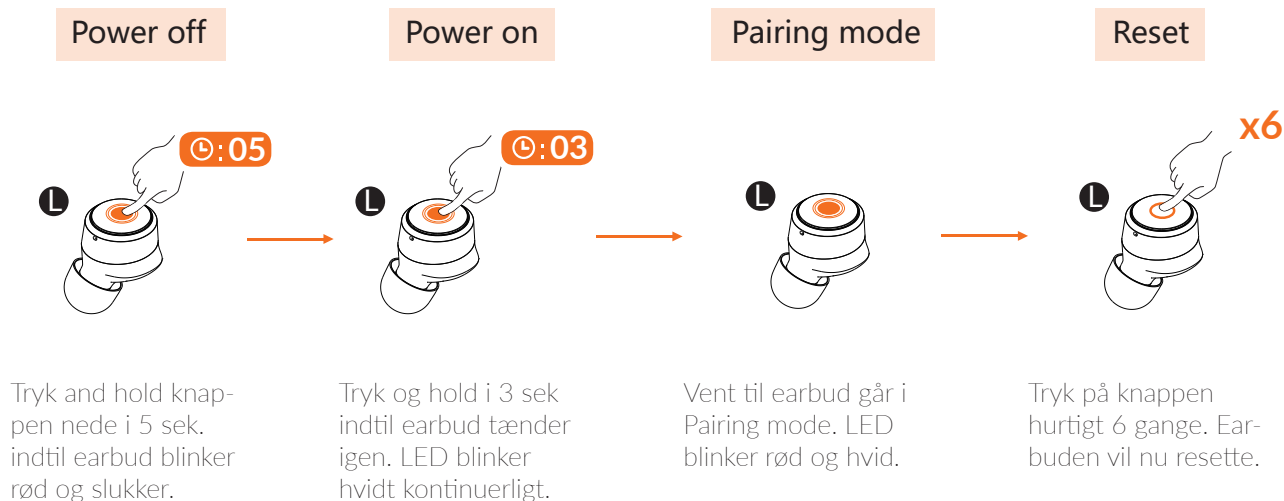
Når earbuds oplader i æsken	Når æsken oplader med stik/trådløst
1. LED blinker - 0-33% strøm på æsken	1 LED blinker - 0-33% strøm på æsken
2. LED blinker - 33-66% strøm på æsken	2 LED'er blinker - 33-66% strøm på æsken
3. LED blinker - 66-100% strøm på æsken	3 LED'er blinker - 66-100% strøm på æsken
LED'er slukket - fuldt opladet earbuds	LED'er slukket - fuldt opladet æske

LED FUNKTIONER FOR SACKIT ROCK 300 EARBUDS

Når earbuds oplader i æsken	Når earbuds er i anvendelse
Røde blink - earbuds oplader	Røde blink - earbuds er ikke parret
Hvide/røde blink - pairing mode	Hvide/røde blink - pairing mode
	4 røde blink hvert minut - earbuds mangler strøm

RESET SACKIT ROCK 300

1. Inden du resetter er det vigtigt, at du via din enheds Bluetooth indstillinger “glemmer” SACKit Rock 300
2. Slå herefter Bluetooth fra på din enhed
3. Placer begge earbuds i æsken
4. Tag begge earbuds ud af æsken
5. Følg nedenstående steps, først på den ene earbud og derefter på den anden.



6. Placer begge earbuds i oplader æsken og vent 10 sek før du tager dem begge op på samme tid.
7. Følg nu steps i “Sådan bruger du SACKit Rock 300 earbuds” på side 16

TROUBLESHOOTING

Hvis du har problemer med at betjene din SACKit Rock 300, beder vi dig afprøve følgende løsninger. Hvis følgende løsninger ikke afhjælper dit problem, kan du kontakte vores kundeservice på info@sackit.dk.

Mine SACKit Rock 300 earbuds er ikke tilsluttet hinanden

- Prøv at nulstille dine SACKit Rock 300 earbuds ved hjælp af beskrivelsen på side 18. Herefter skal SACKit Rock 300 tilsluttes din enhed igen, dette gøres ved at følge beskrivelsen på side 16.

Jeg oplever problemer med stabilitet og forbindelse på SACKit Rock 300

- Prøv at fjerne parringen imellem din enhed og SACKit Rock 300. Dette gøres på din enhed ved at vælge Bluetooth indstillinger og vælge glem/slet " SACKit Rock 300". Herefter skal du igen parre SACKit Rock 300 og din enhed ved at følge beskrivelsen på side 16.

Mine SACKit Rock 300 earbuds afspiller ikke musik selv om at de er tilsluttet min enhed

- Hvis dine SACKit Rock 300 ikke spiller når de er tilsluttet din enhed skal du manuelt vælge SACKit Rock 300 som afspilningsenhed fra din enhed. For at gøre dette henviser vi til manualen for din enhed eller den specifikke app.

Mine SACKit Rock 300 slukker ikke når de bliver lagt i opladningsæsken

- Hvis dine earbuds ikke slukker i opladningsæsken skyldes det at æsken er løbet tør for strøm og skal oplades. Du kan slukke dine SACKit Rock 300 earbuds manuelt ved at trykke på touch knapperne og holde dem inde i 5 sek., herefter skal din opladningsæske oplades.

Mine earbuds afspiller ikke med samme volumen

- Da SACKit Rock 300 er et in-ear head set kan højtaleren blive stoppet af skidt og ørevoks. For at fjerne dette skal du fjerne ørepropperne og rengøre det lille filter, en rengøringens vejledning kan findes på side 20.
- Hvis dette er muligt at rengøre filteret eller hvis dette ikke løser problemet, kan vores kundeservice kontaktes på info@sackit.dk

Mine SACKit Rock 300 earbuds tænder ikke når de tages ud af opladningsæsken

- Dine earbuds kan være løbet tør for strøm. Prøv at ligge dine earbuds tilbage i opladningsæsken og tilslut SACKit Rock 300 til en oplader i minimum 2 timer før SACKit Rock 300 tages i brug igen.

RENGØRING AF PRODUKTET

1. Sluk venligst SACKit Rock 300 før du rengører den samt fjern SACKit Rock 300's earbuds fra den tilhørende opladningsæske. Dine earbuds kan slukkes manuelt ved at holde touch knappen inde i 5 sek.
2. Anvend ikke vand, rengøringsmidler, opløsningsmidler eller anden form for væske til rengøring af din SACKit Rock 300 earbuds.
3. For at rengøre SACKit Rock 300's earbuds skal ørepropperne fjernes, så det sorte højttalerstof bliver tilgængeligt.
4. Højttalerstoffet kan forsigtigt rengøres med en tør vatpind.
5. Brug en blød, tør og fnugfri klud til at tørre dine earbuds af efterfølgende.
6. Efter rengøring ligges SACKit Rock 300's earbuds tilbage i opladningsæsken for at genaktivere dem .

ADVARSEL: Der må ikke benyttes nogen form for skarpe genstande til rengøring af hverken SACKit Rock 300's opladningsæske eller earbuds.

TEKNISKE SPECIFIKATIONER

- Model: SACKit Rock 300
- IP grad: IPX4
- Bluetooth version: V5.0
- Operating distance: 10M
- Batteri: 590mAh opladningsæsken, 2 x 50mAh earbuds
- Opladnings tid: 2 timer
- Musik spilletid: Op til 8 timer uden opladning, 20 timers spilletid tilføjes af opladeræsken
- Earbud opkaldstid: Op til 6 timer
- Frekvens: 20Hz-20KHz
- Impedence: $16\pm 15\Omega$ at 1000Hz
- USB-C input: 5V/500mAh
- Qi input: 3W
- Størrelse: 68.5*64*32mm
- Vægt: 60g

VIGTIG SIKKERHEDSINFORMATION

Læs og følg venligst følgende instruktioner for at sikre, at du anvender dit produkt og tilbehør sikkert og korrekt. Produktskader forårsaget af brug i modstrid med følgende information dækkes ikke af garantien.

Advarsel

For at undgå brand, skader eller elektriske stød, skal du overholde følgende retningslinjer:

- Det er forbudt at afmontere eller erstatte dele på enheden. Kontakt venligst professionelt værksted eller kvalificeret servicecenter, hvis der er skader på opladeren eller dens tilbehør
- Placér ikke produktet i nogen form for væske
- Hvis produktet bliver vådt, skal de slukkes med det samme og kundeservice skal kontaktes
- Placér ikke produktet i eller tæt på kraftig varme eller ild (eksempelvis stearinlys, ildsteder eller direkte sollys)
- Hvis det lyner, skal du slukke for produktet
- Brug ikke produktet i områder med støv eller vibrationer
- Brug ikke overdreven styrke eller vold til betjening af produktet
- Hvis produktet er under 5°C, når du modtager det, skal du tage det ud af emballagen og vente til, det har opnået stuetemperatur, før du slutter det til strøm
- For at undgå overophedning af produktet, skal der være 10 cm frit omkring opladningsæsken ved opladning
- Oplad kun produktet på en stabil, flad og plan overflade.

BORTSKAFFELSE AF PRODUKTET

SACKit Rock 300 er fremstillet i genanvendelige højkvalitetsmaterialer. Du må ikke smide produktet ud sammen med din dagrenovation. Produktet skal bortskaffes i overensstemmelse med lokale retningslinjer for bortskaffelse af elektronik. Forkert bortskaffelse har negative konsekvenser for miljø og sundhed.

REKLAMATIONER

Kontakt venligst vores kundeservice, hvis du har en klage eller har et par defekte SACKit Rock 300 earbuds. Hvis du har et par defekte earbuds, skal du oplyse produktets serienummer, når du kontakter os. Serienummeret finder du på bunden af æsken.



VIELEN DANK!

Vielen Dank für den Kauf der SACKit Rock 300 Ohrhörer von SACKit. Bitte lesen Sie die Gebrauchsanleitung genau durch, bevor Sie das Produkt in Gebrauch nehmen. Heben Sie die Gebrauchsanleitung für einen späteren Gebrauch auf. Angaben zur Produktbeschreibung, sowie das Bildmaterial und technische Daten sind ohne Gewähr. Sollten Sie Probleme mit Ihrem Produkt erleben, kontaktieren Sie bitte unseren Kundendienst. Wir hoffen, dass Sie viel Freude mit Ihren neuen SACKit Rock 300 True Wireless Ohrhörer haben werden.

Let SACKit rock your life!

KURZANLEITUNG

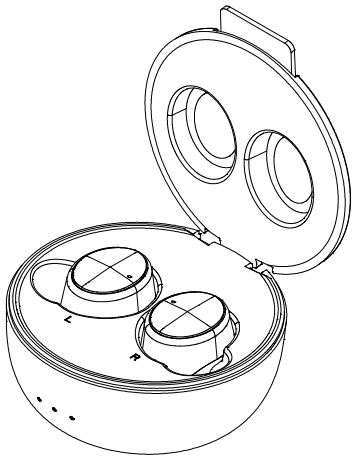
Bevor Sie Ihre SACKit Rock 300 Ohrhörer in Gebrauch nehmen, müssen Sie sie zuerst aufladen.

Legen Sie die SACKit Rock 300 Ohrhörer in die Ladebox, um sie aufzuladen.

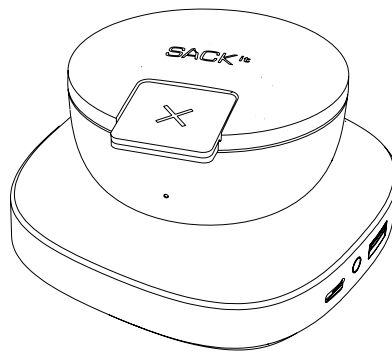
Die SACKit Rock 300 Ohrhörer können auf verschiedene Weise aufgeladen werden:

- 1: Legen Sie die SACKit Rock 300 Ladebox auf einem Qi Ladegerät, z.B. auf einem CHARGEit.
- 2: Benutzen Sie das mitgelieferte USB-C Kabel und eine 5V, 1A Stromversorgung.

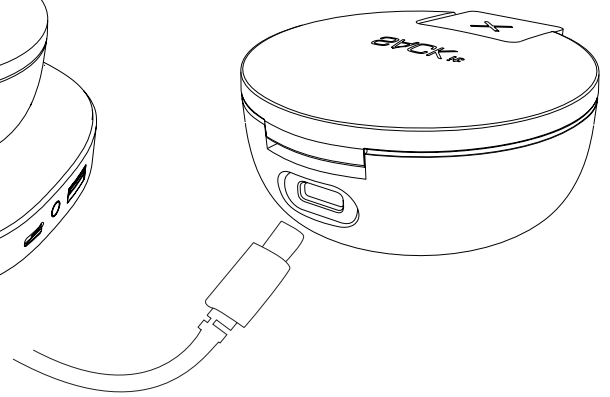
Vor der ersten Anwendung sollte SACKit Rock 300 für mindestens 2 Stunden aufgeladen werden.



Legen Sie die SACKit Rock 300 Ohrhörer in die Ladebox



Die Ladebox kann auf einem kabellosen Ladegerät aufgeladen werden



Die Ladebox kann ebenfalls mit Hilfe eines USB-C Kabels aufgeladen werden.

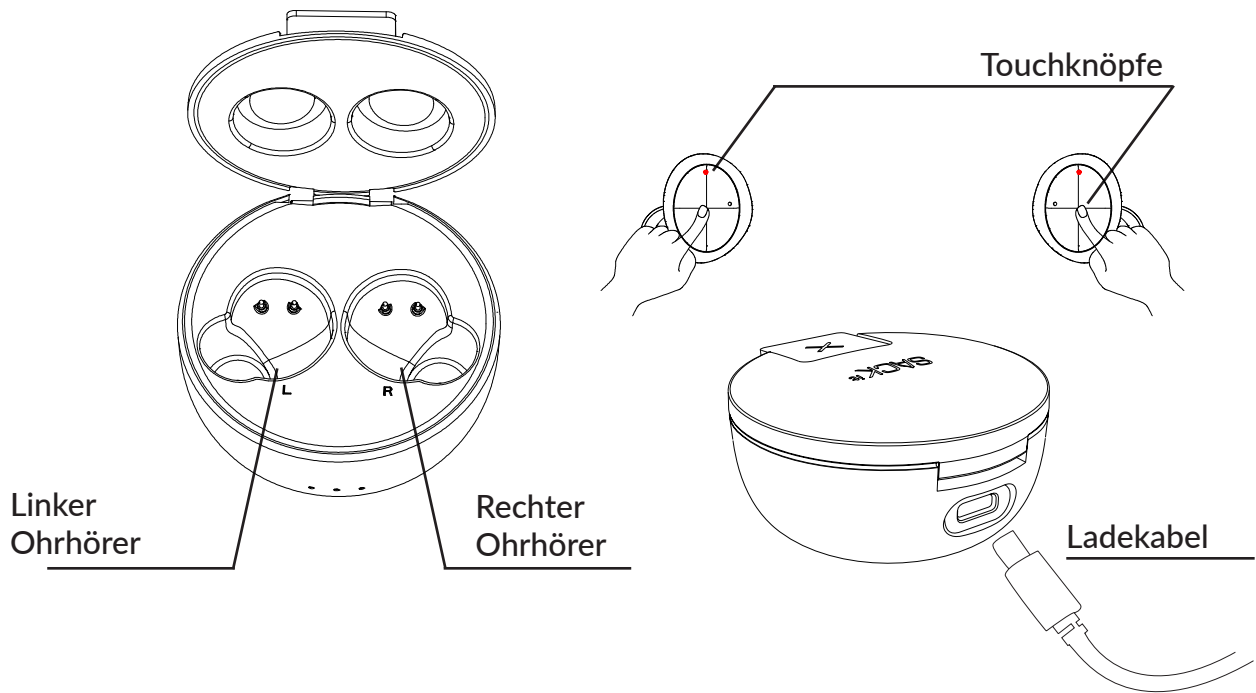
Vergessen Sie nicht Ihre Ohrhörer nach dem Gebrauch auszuschalten, um die Akkulaufzeit zu verlängern. Die Ohrhörer schalten sich automatisch aus, sobald sie in die Ladebox gelegt werden.

ANWENDUNG DER SACKIT ROCK 300 OHRHÖRER

1. Nehmen Sie die SACKit Rock 300 Ohrhörer aus der Ladebox, sofort leuchten beide Ohrhörer entlang der Kante Weiß auf.
2. Aktivieren Sie die Bluetooth Funktion auf dem gewünschten Gerät.
3. Drücken Sie auf „SACKit Rock 300“ unter der Bluetooth Einstellung Ihres Gerätes. Ihre Ohrhörer sind jetzt mit dem gewünschten Gerät gepaart.
4. Jetzt können Sie die Musik auf Ihrem Gerät abspielen.
5. Die SACKit Rock 300 Ohrhörer schalten sich automatisch ein und aus sobald sie in die Ladebox gelegt werden. Wenn Sie den Ohrhörer Knopf für mehr als 5 Sekunden gedrückt halten schalten die Ohrhörer sich ebenfalls ein oder aus.
6. SACKit Rock 300 stellt darauffolgend immer automatisch die Verbindung zum gepaarten Gerät her.
7. Um ein neues Gerät anzuschließen/ zu paaren, müssen Sie 6 Mal auf den Ohrhörer Knopf drücken. Dieses funktioniert auf beiden Ohrhörern.

Um eine Verbindung zu einem neuen Gerät herzustellen, stellen Sie sicher, dass das zuvor verbundene Gerät abgebrochen ist, da sonst die Verbindungsoption auf dem neuen Gerät nicht angezeigt wird.

PRODUKTBESCHREIBUNG

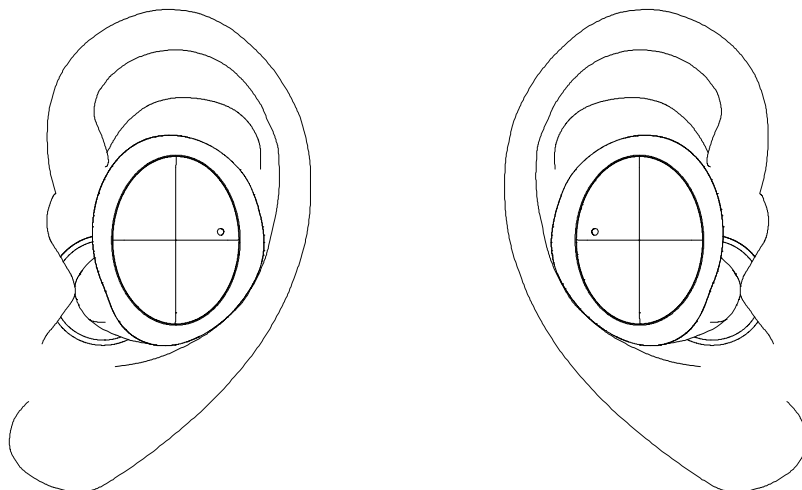


AKKU

- Akku: wiederaufladbarer Polymer Lithium-Ion Akku, DC: 3.7V/590mAh für die Ladebox,
- 2 x 50mAh für die Ohrhörer
- Stromversorgung: USB DC5V, benutzen Sie das mitgelieferte USB-C Kabel, um die Ladebox aufzuladen.
- Ladezeit: Vor der ersten Anwendung sollten Sie bitte den Akku vollaufen. Dafür sollte er für mindestens 3 Stunden lang laden, danach immer 2 Stunden bei einer erneuten Aufladung.

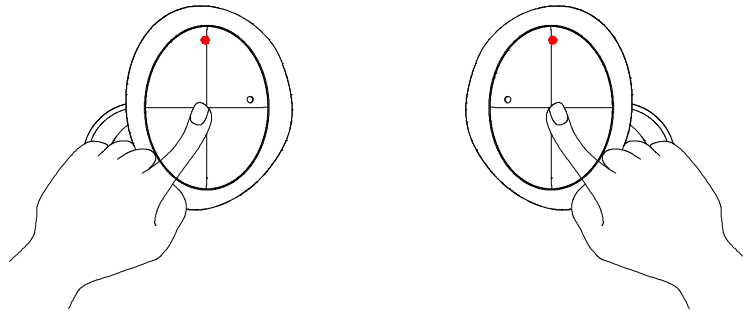
KORREKTE NUTZUNG DER SACKIT ROCK 300 OHRHÖRER

Bringen Sie die Ohrhörer wie unten abgebildet an. Hierbei ist es wichtig die inneren Stöpsel nach unten zu drehen. Sie können die Ohrhörer so lange drehen, bis Sie die richtige Passform gefunden haben.



ANWENDUNG DER SACKIT ROCK 300 OHRHÖRER

1. Zuerst: Nehmen Sie die SACKit Rock 300 Ohrhörer aus der Ladebox. Beide Ohrhörer leuchten entlang der Kante Weiß auf.
2. Der linke Ohrhörer leuchtet innerhalb weniger Sekunden rot/weiß auf. SACKit Rock 300 ist im Paarungsmodus und Ihre Ohrhörer sind jetzt miteinander verbunden (True Wireless Stereo).
3. Aktivieren Sie die Bluetooth Funktion auf Ihrem Gerät
4. Wählen Sie „SACKit Rock 300“ in der Bluetooth Einstellung auf Ihrem Gerät aus. Ihre Ohrhörer sind jetzt mit dem gewünschten Gerät gepaart.
5. Spielen Sie die Musik auf Ihrem Gerät ab.
6. Die SACKit Rock 300 Ohrhörer schalten sich automatisch ein und aus sobald sie in die Ladebox gelegt werden.
7. Das Ein- und Ausschalten erfolgt durch das Drücken des Ohrhörer Buttons für 5 Sekunden.



8. SACKit Rock 300 stellt darauffolgend immer automatisch die Verbindung zu dem letzten gepaarten Gerät her.
9. Um ein neues Gerät mit dem Ohrhörer zu paaren, muss die vorherige Paarung erst unterbrochen werden. Ansonsten können Sie nicht mit einem neuen Gerät verbinden.
10. SACKit Rock 300 kann bis zu 8 Geräte speichern: Sie können also 8 Geräte mit Ihrem SACKit Rock 300 paaren. Wenn Sie versuchen ein 9. Gerät zu paaren, wird das Erst gespeichert Gerät automatisch gelöscht.

ANLEITUNG NACH DER ERSTEN VERBINDUNG

1. Nach dem ersten Verbindungsaufbau zwischen Ihren SACKit Rock 300 Ohrhörern und Ihrer Bluetooth Einheit wird die Verbindung automatisch wiederhergestellt
2. Um die Ohrhörer einzuschalten, halten Sie den Knopf entweder solange gedrückt bis Sie den Einschaltton hören. Sie können auch die Ohrhörer aus der Ladebox nehmen.
3. Die SACKit Rock 300 Ohrhörer schalten Sie sich automatisch aus sobald sie in die Ladebox gelegt werden. Halten Sie den Knopf am Ohr gedrückt, um die Ohrhörer manuell auszuschalten.

BASISFUNKTIONEN DER SACKIT ROCK 300 OHRHÖRER

Linker Ohrhörer - funktionen	Rechter Ohrhörer - funktionen
1 x drücken: Lautstärke runter	1 x drücken: Lautstärke erhöhen
Für 1 Sekunde gedrückt halten: Vorheriger Song	Für 1 Sekunde gedrückt halten: Nächster Song
2 x drücken: Play/pause	2 x drücken: Play/pause
3 x drücken: SIRI®/Google™	3 x drücken: SIRI®/Google™
1 x drücken: Anruf annehmen	1 x drücken: Anruf annehmen
2 x drücken: Anruf beenden	2 tryk: Anruf beenden
Für 2 Sekunden gedrückt halten: VoiceThrough ein/aus	Für 2 Sekunden gedrückt halten: Active Noise Cancelation (ANC)

VERSCHIEDENE LED FUNKTIONEN FÜR DIE SACKIT ROCK 300 LADEBOX

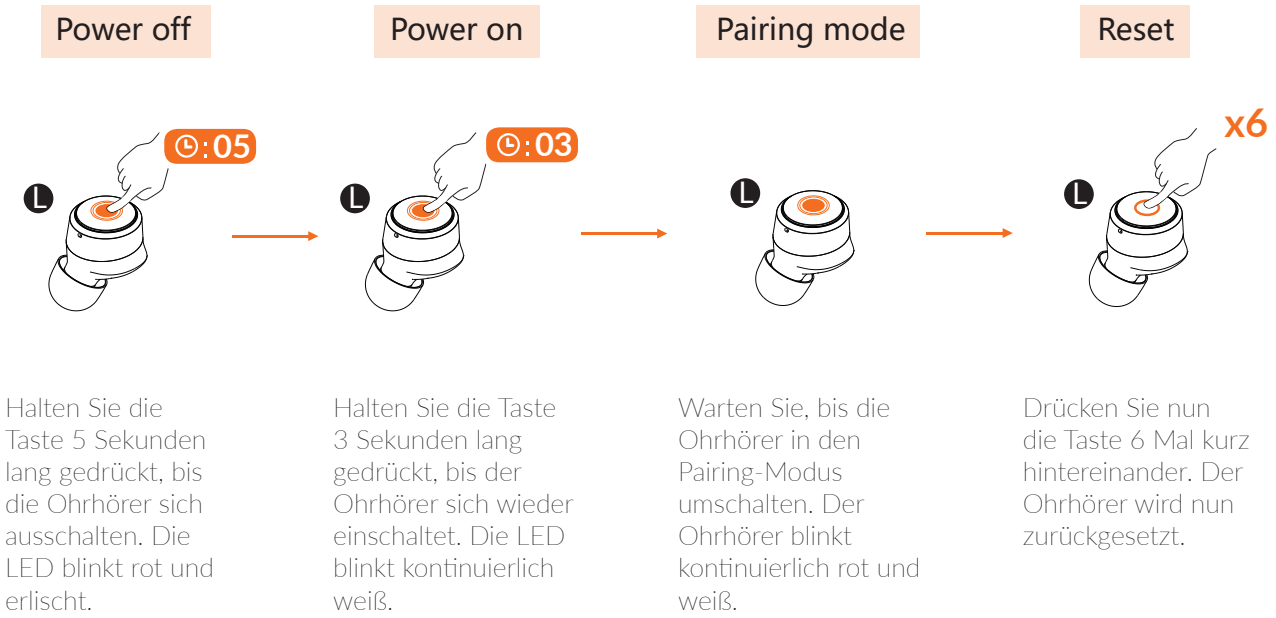
Wenn die Ohrhörer in der Ladebox laden	Wenn die Ladebox an Strom angeschlossen ist
1. LED blinken - 0-33% aufgeladen	1 LED blinken- 0-33% aufgeladen
2. LED blinken - 33-66% aufgeladen	2 LED blinken - 33-66% aufgeladen
3. LED blinken - 66-100% aufgeladen	3 LED blinken - 66-100% aufgeladen
LED Leuchte aus - vollaufgeladen Ohrhörer	LED Leuchte aus - vollaufgeladen ladebox

LED FUNKTIONEN FÜR SACKIT ROCK 300 OHRHÖRER

Wenn die Ohrhörer in der Ladebox laden	Bei Gebrauch
Rotes blinken – Ohrhörer werden aufgeladen	Rotes blinken – Ohrhörer sind nicht gepaart
Weiß/rotes blinken - Paarungsmodus	Weiß/rotes blinken - Paarungsmodus
	4 x rotes blinken jede Minute – Zeit zum Aufladen

DAS ZURÜCKSETZEN DER SACKIT ROCK 300 OHRHÖRER

1. Bevor Sie die Ohrhörer zurücksetzen ist es wichtig, dass Sie „SACKit Rock 300“ aus Ihrer Bluetooth Liste auf Ihrem Handy löschen.
2. Schalten Sie anschließend die Bluetooth Funktion auf Ihrem Handy aus
3. Legen Sie beide Ohrhörer in die Ladebox
4. Nehmen Sie wieder beide Ohrhörer aus der Ladebox
5. Gehen Sie wie folgt unten vor, zuerst mit dem einen Ohrhörer, dann mit dem anderen.



6. Legen Sie beide Ohrhörer in die Ladebox und warten Sie 10 Sekunden ab, bevor Sie beide gleichzeitig wieder rausnehmen.
7. Folgen Sie der Anleitung „Anwendung der SACKit Rock 300 Ohrhörer“ auf Seite 26

FEHLERSUCHE

Wenn Sie Probleme mit der Bedienung Ihrer SACKit Rock 300 Ohrhörer haben, bitten wir Sie folgenden Lösungen auszuprobieren, sollte dieses nicht helfen, kontaktieren Sie bitte unseren Kundendienst info@sackit.dk.

Meine SACKit Rock 300 Ohrhörer sind nicht miteinander verbunden

- Versuchen Sie die Ohrhörer zurückzustellen (lesen Sie mehr auf Seite 28). Danach müssen Sie eine erneute Paarung vornehmen (lesen Sie mehr auf Seite 26).

Meine SACKit Rock 300 Ohrhörer sind instabil in der Verbindung

- Versuchen Sie die Paarung zu löschen. Löschen Sie „SACKit Rock 300“ aus Ihrer Bluetooth Übersicht auf Ihrem Gerät. Verbinden Sie aufs Neue, gehen Sie wie folgt auf Seite 26 vor.

Aus meinen SACKit Rock 300 Ohrhörern ertönt keine Musik, obwohl Sie mit meinem Gerät verbunden sind

- Wenn Ihre Ohrhörer keine Musik abspielen, obwohl sie mit Ihrem Gerät verbunden sind, dann müssen SACKit Rock 300 selbst aus Ihrer Liste auswählen. Dafür müssen Sie Gebrauchsanleitung Ihres Gerätes durchlesen

Meine Ohrhörer schalten sich nicht aus, wenn Sie in die Ladebox gelegt werden

- Wenn sich die Ohrhörer in der Ladebox nicht ausschalten lassen liegt es daran, dass der Akku der Ladebox leer ist. Sie können Ihre SACKit Rock 300 Ohrhörer manuell ausschalten, indem Sie den Knopf am Ohr für 5 Sekunden gedrückt halten. Danach müssen Sie die Ladebox erneut aufladen.

Meine Ohrhörer haben nicht die gleiche Lautstärke

- Da SACKit Rock 300 In-Ear Ohrhörer sind, können Sie mit Schmutz und Ohrenschmalz zugestopft werden. Um diesen zu entfernen, müssen Sie die Stöpsel abnehmen und das kleine Filter reinigen. Wie man die Ohrhörer genau reinigt, erfahren Sie auf Seite 30.
- Sollten Sie Probleme mit der Reinigung erleben, kontaktieren Sie unseren Kundendienst auf info@sackit.dk

Meine Ohrhörer schalten sich nicht ein, wenn sie aus der Ladebox genommen werden

- Der Akku Ihrer Ohrhörer könnte leer sein. Legen Sie die Ohrhörer zurück in die Ladebox. Laden Sie die Ladebox für mindestens 2 Stunden auf und versuchen es noch einmal.

REINIGUNG

1. Schalten Sie die SACKit Rock 300 Ohrhörer vor dem Säubern aus und nehmen Sie sie aus der Ladebox. Ihre Ohrhörer lassen sich manuell ausschalten, indem Sie den Knopf am Ohr für 5 Sekunden gedrückt halten
2. Benutzen Sie kein Wasser, Reinigungsmittel, Lösungsmittel oder andere Flüssigkeiten für die Reinigung Ihrer SACKit Rock 300 Ohrhörer.
3. Für die Reinigung müssen Sie die Stöpsel abnehmen, damit der schwarze Stoff zum Vorschein kommt.
4. Säubern Sie das Ohrpolster mit einem trockenen Wattestäbchen.
5. Benutzen Sie ein weiches, trockenes und fusselfreies Tuch, um die Ohrhörer abzuwischen. Nach dem Reinigen legen Sie die Ohrhörer wieder zurück in die Ladebox.

ACHTUNG: Vermeiden Sie den Gebrauch von spitzen Gegenständen bei der Reinigung, weder bei den Ohrhörern noch bei der Ladebox.

PRODUKTANGABEN

- Modell: SACKit Rock 300
- IP Grad: IPX4
- Bluetooth version: V5.0
- Max. Reichweite: 10M
- Akku: 590mAh Ladebox, 2 x 50mAh Ohrhörer
- Ladezeit: 2 Stunden
- Ladespannung: 500mA
- Spielzeit: Bis zu 8 Stunden bei einer vollen Akkuladung
- 20 Stunden zusätzlich durch die Ladebox
- Sprechzeit: Bis zu 6 Stunden
- Frequenz: 20Hz-20KHz
- Impedanz: $16\pm 15\Omega$ at 1000Hz
- USB-C ein: 5V/500mAh
- Qi ein: 3W
- Größe: 68.5*64*32mm
- Gewicht: 60g

WICHTIGE SICHERHEITSHINWEISE

Lesen Sie bitte folgende Anweisungen um sicher zu stellen, dass Sie Ihren SACKit Rock 300 sicher und korrekt handhaben. Bei Produktschäden als Folge einer Falschanwendung kann die Garantie nicht geltend gemacht werden.

Achtung!

Um einen möglichen Brand, Schäden oder Stromschläge zu vermeiden, beachten Sie bitte folgendes:

- Es ist nicht erlaubt einzelne Teile zu entfernen oder zu ersetzen. Falls Schäden am Gerät vorhanden sind, kontaktieren Sie bitte eine professionelle Werkstatt oder ein Servicecenter
- Stellen Sie den Lautsprecher nicht zu nahe an kräftiger Hitze oder in das direkte Sonnenlicht
- Bei Donnerwetter sollten Sie das Gerät ausschalten
- Seien Sie bei der Bedienung des Lautsprechers vorsichtig
- Wenn der Lautsprecher bei der Lieferung unter 5 Grad sein sollte, warten Sie bitte mit dem Einschalten. Der Lautsprecher sollte mindestens Raumtemperatur haben, bevor Sie diesen anschließen
- Überhitzung der Lautsprecher sollte vermieden werden
- Bevor Sie das Ladegerät und den Lautsprecher mit der Steckdose verbinden, sollten Sie sicherstellen, dass die Spannung korrekt ist. Falls nicht, benutzen Sie diesen bitte nicht.

ENTSORGUNG

SACKit Rock 300 ist aus wiederverwendbaren Materialien hergestellt. Der Lautsprecher darf nicht im Haushaltsmüll entsorgt werden und muss nach den geltenden Richtlinien für Elektronikmüll entsorgt werden. Eine falsch Entsorgung schadet die Umwelt.

REKLAMATION

Falls Sie Reklamationen oder ein defektes Produkt erhalten haben, wenden Sie sich bitte an unseren Kundendienst. Sollten Ihre Ohrhörer kaputt sein, benötigen wir die Seriennummer Ihres Produktes. Sie finden die Seriennummer auf der Rückseite der Verpackung

SACK it[®]